

EAST LINEAR

Hot and Cold Water Dispenser Faucet

106



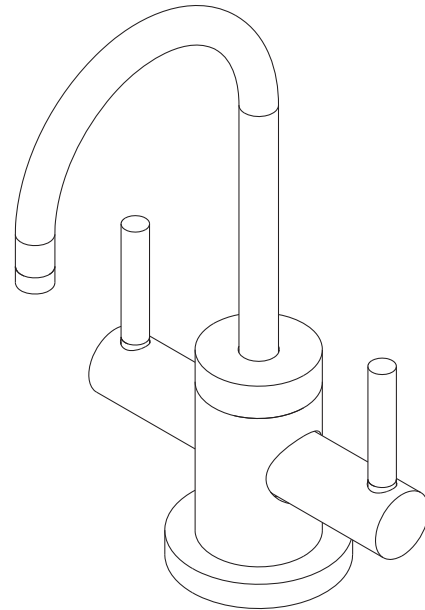
Features

- Solid brass construction
- Quarter-turn washerless ceramic disc valve cartridges
- ADA compliant contemporary lever handles
- Spout assembly with integral supply hoses
- Spring-loaded, normally closed lever handle
- 6-3/16" (15.7 cm) spout height at outlet
- 4" (10.2 cm) spout reach (c-c)
- 1.5 gallons (5.7 liters) per minute maximum flow rate
- For single hole configurations

Codes / Standards Compliance

Meets or exceeds the following at date of manufacture:

- ASME A112.18.1/CSA B125.1
- IAPMO/cUPC
- IPC
- NSF 61
- ADA
- Energy Policy Act of 1992
- All applicable US Federal and State material regulations



Colors / Finishes

- 10B: Oil Rubbed Bronze
- 15: Polished Nickel
- 15S: Satin Nickel
- 26: Polished Chrome
- Other: Refer to the Newport Brass catalog for additional color/finish options.

Specified Model

Model	Description	Colors / Finishes				
106	Hot and Cold Water Dispenser Faucet	<input type="checkbox"/> 15	<input type="checkbox"/> 15S	<input type="checkbox"/> 26	<input type="checkbox"/> 10B	<input type="checkbox"/> Other
5-036	Point-of-Use Water Heater (115V, 140iF to 190i range)					

Product Specification:

Add "Color / Finish" suffix to Model number, below.

The Hot and Cold Water Dispenser Faucet shall be made of solid brass construction. Faucet shall incorporate a spout assembly with integral supply hoses and feature quarter-turn washerless ceramic disc valve cartridges. Faucet shall incorporate ADA compliant contemporary lever handles and feature a spring-loaded, normally closed hot lever mechanism. Hot and Cold Water Dispenser Faucet shall have a 1.5 gallons (5.7 liters) per minute maximum flow rate and accommodate single hole configurations. Product shall incorporate a 6-3/16" (15.7 cm) spout height at outlet and a 4" (10.2 cm) spout reach (c-c). Hot and Cold Water Dispenser Faucet shall be Newport Brass Model 106/____. [Point-of-Use Water Heater shall be Newport Brass Model 5-036].

Product Dimensions (units are in inches)

