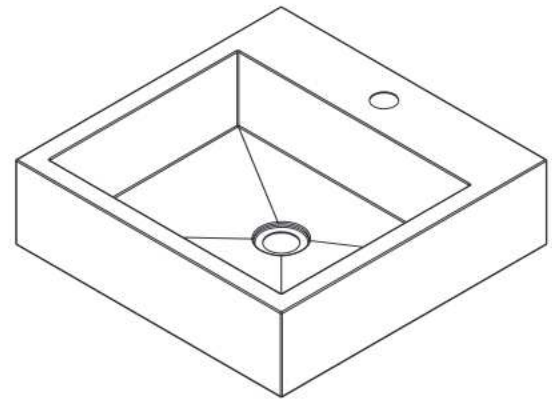
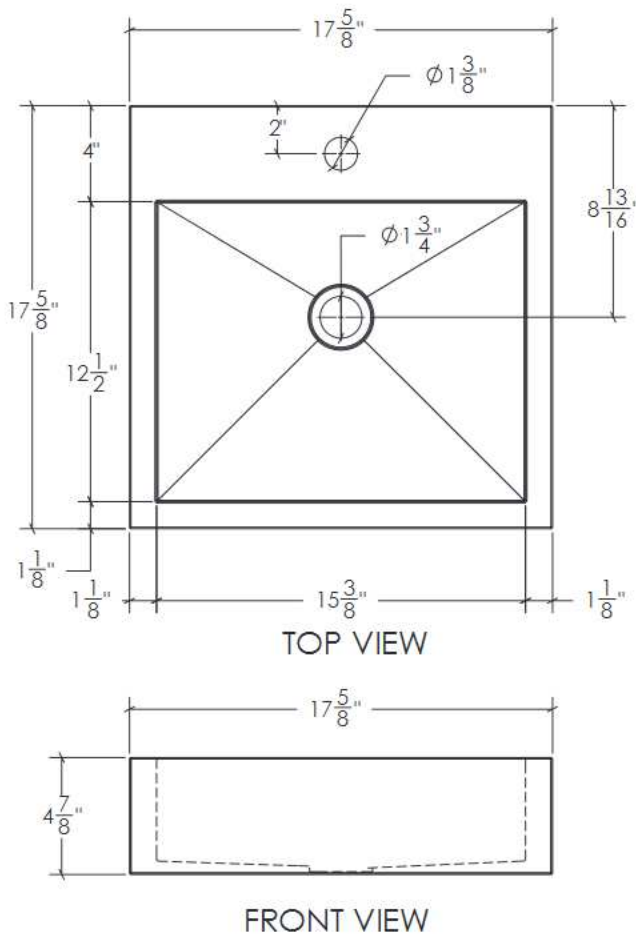


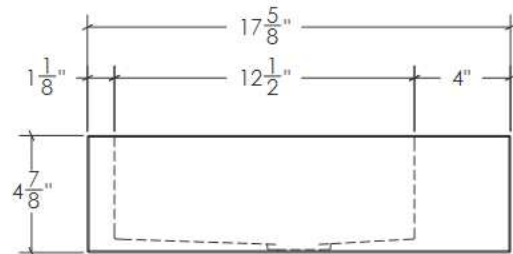
MS-005

FEATURES:

- * Sink Size: 17 5/8" x 17 5/8" x 4 7/8"
- * Material: Stainless Steel
- * Wall-hung / Above Counter Sink
- * Recommended Drain: DS-003B
- * Pre-drilled Hole For Faucet
- * For Use With Standard Pop Up Drain
- * Warranty: One Year Limited Warranty



3D VIEW



SIDE VIEW

JOB INFORMATION:

Job Name _____
 Date Specified _____
 Contractor _____

* Specifications and drawings provided on this sheet are for illustration only. Cantrio Koncepts will not be held responsible for cutouts made without the actual product or product template.