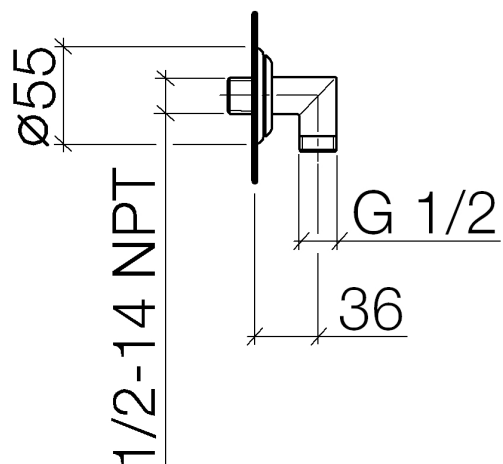




**Product specifications**

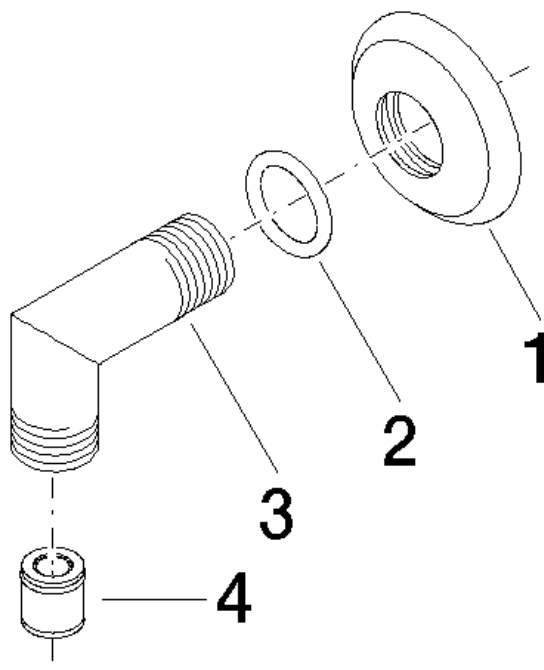
- 1/2" shower hose connection with back flow preventer
- Flange diameter 2 1/8" Internal backflow preventer.



**Surfaces**

- chrome 28450410-000010
- chrome 28450410-000010
- matt platinum 28450410-060010
- matt platinum 28450410-060010
- platinum 28450410-080010
- platinum 28450410-080010
- brass 28450410-090010
- brass 28450410-090010

**Exploded assembly drawing**



**Order quantity**

<b>No.</b>	<b>Article number</b>	<b>Name</b>	<b>Installation quantity</b>
<b>1</b>	092735003ff	rosette	1
<b>2</b>	09141002690	seal	1
<b>3</b>	091103021ff	connection	1
<b>4</b>	09230104090	back-flow preventer	1