



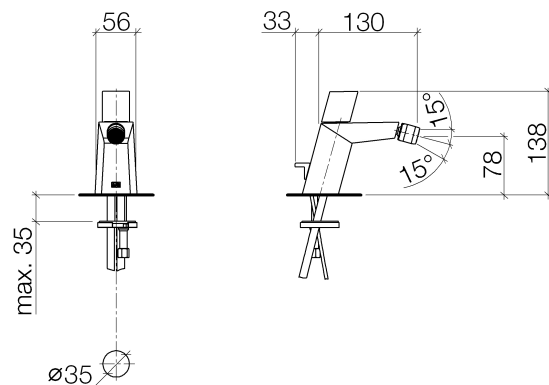
Product specifications

- **5 1/8" projection**

- Fixed spout
- M 22 x 1 aerator – female thread with M 14 x 1 ball joint
- 2x M 10 x 1 x 16 1/2" screw-in high pressure hose
- Total height 5 3/8"
- Height to aerator/spout outlet 3 1/8"
- 1 3/8" hole diameter

- **US drain with overflow**

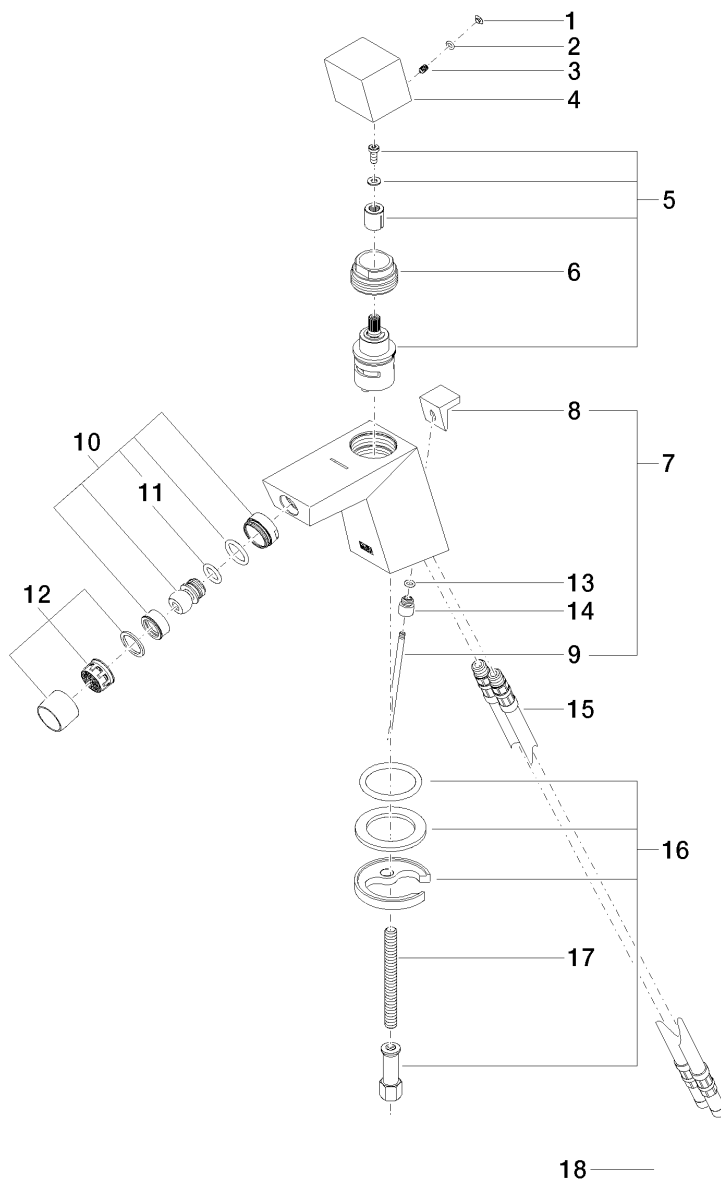
- Water flow rate limited to max. 1.85 gpm
- Progressive cartridge with ceramic discs



Surfaces

- | | |
|-------------|-------------|
| • chrome | 33600730-00 |
| • chrome | 33600730-00 |
| • champagne | 33600730-47 |
| • champagne | 33600730-47 |

Exploded assembly drawing



Order quantity

No.	Article number	Name	Installation quantity
1	093120087ff	plug	1
2	09141013390	seal	1
3	09311100890	pin	1
4	092073004ff	handle	1
5	9090031620090	top	1
6	092310065ff	nut	1
7	04207330180ff	pull-rod	1
8	092073301ff	handle	1
9	093109080ff	pull-rod	1
10	04214000700ff	joint	1
11	09141001190	seal	1
12	90230111902ff	aerator	1
13	09141016690	seal	1
14	09240423390	plug	1
15	0430040450090	hose	2
16	0430110386490	fixing set	1
17	09306000290	pin	1
18	04110102300ff	pop-up waste	1

