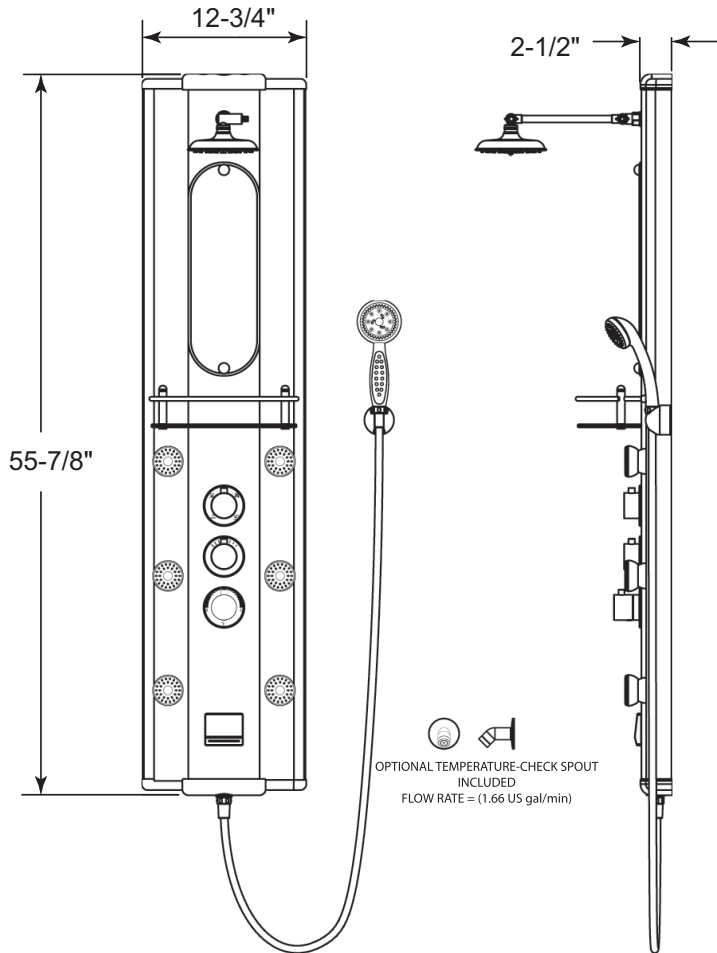




Ristorre™ Metallo™ SHOWER TOWER

EC33 Metallo™ Shower Tower (Optional Spout Included)



INSTALLATION NOTES

Refer to installation instructions included with fixture before beginning installation. Please confirm product availability and specifications before commencing with any installation work.

PRODUCT SPECIFICATIONS AND AVAILABILITY ARE SUBJECT TO CHANGE WITHOUT NOTICE.

Technical Specifications

DIMENSIONS

55-7/8" L x 12-3/4" W x 2-1/2" D
(1419 mm) L x (1905 mm) W x (63.5 mm) D

PRODUCT WEIGHT

26 lb. (12 kg)

This is a wall mounting shower tower bathroom fixture.

Product Shown:

Ristorre™ Metallo™ Shower Tower, Model: EC33

Minimum Working Water Pressure		21.76 psi	(1.5 bar)
Maximum Working Water Pressure		72.52 psi	(5.0 bar)
Recommended Working Water Pressure		43.51 psi	(3.0 bar)
Maximum Working Water Temp.		140-158° F	(60 - 70° C)
Minimum Working Water Temp.		41-68° F	(5-20° C)
Recommended Working Temp.		100° F	(38° C)
Under water pressure at 21.76 psi (1.5 bar)	Flow Rate of Hand Shower	1.59 US gal/min	(6.0 L/min)
	Flow Rate of Wall Mount	1.59 US gal/min	(6.0 L/min)
	Flow Rate of Body Jet	1.98 US gal/min	(7.5 L/min)
	Flow Rate of Bath Spout	1.98 US gal/min	(7.5 L/min)