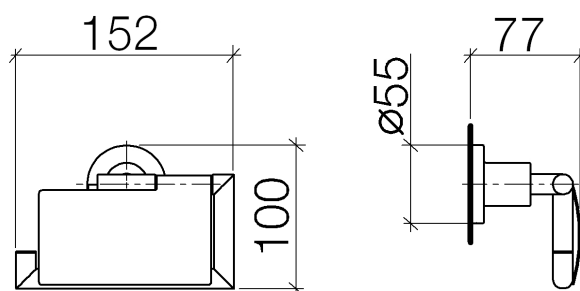




Product specifications

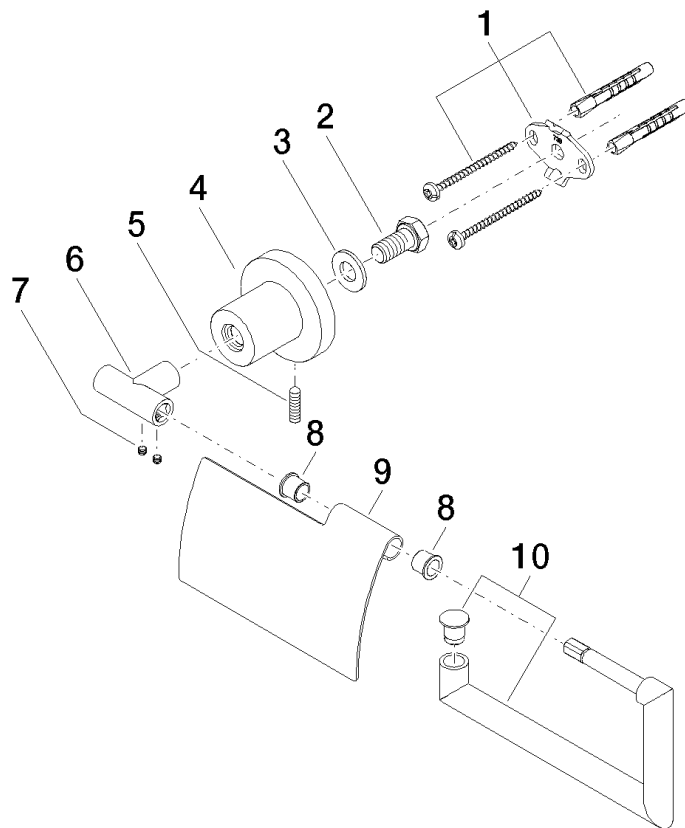
- Height 3 7/8"
- Width 6"
- Flange diameter 2 1/8"
- 3" projection



Surfaces

- | | |
|-----------------|-------------|
| • chrome | 83510892-00 |
| • chrome | 83510892-00 |
| • matt platinum | 83510892-06 |
| • matt platinum | 83510892-06 |
| • platinum | 83510892-08 |
| • platinum | 83510892-08 |
| • matt white | 83510892-10 |
| • matt white | 83510892-10 |
| • matt black | 83510892-33 |
| • matt black | 83510892-33 |

Exploded assembly drawing



Order quantity

No.	Article number	Name	Installation quantity
1	0517207390090	fixing set	1
2	09303007190	screw	1
3	09301104690	disc	1
4	081789505ff	holder	1
5	09311111390	pin	1
6	05178955300ff	holder	1
7	09311103890	pin	2
8	08184050190	sleeve	2
9	081102514ff	lid	1
10	90282264100ff	holder	1