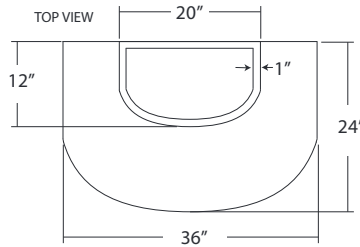
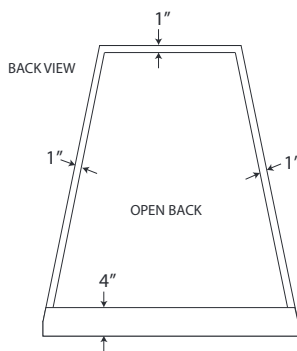
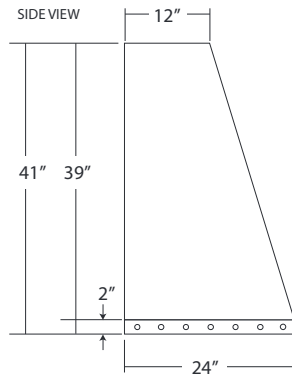
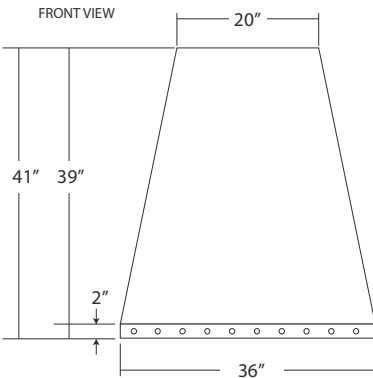


SPECIFICATIONS FOR
CORONADO



CPR832 - Antique



PRODUCT DETAILS

- * 36" w x 24" d x 41" h
- * Hand hammered 16 gauge recycled copper
- * Professional grade ventilation system
- * Highly efficient baffle filtration
- * 600 CFM motor with variable speed control
- * Dimmer controlled Halogen lighting
- * Hand forged nails ("clavos")

CUSTOM SIZES AVAILABLE

INSTALLATION

- * Wall Mount

STANDARDS COMPLIANCE

- * IAPMO Listed / cUPC

SOUND RATINGS

Internal 600 CFM
 High Speed: 5.5 Sones / 62 dBA
 Low Speed: 3.8 Sones / 50 dBA
 Background Sound Level 39 dBA
 (Distance 12" below Filter Intake)

IMPORTANT

Due to the handcrafted nature of this product, it will vary in finish, texture, hammering, and other details. Dimensions may vary up to 1/2". We strongly recommend that you wait for the actual product before making any installation cuts.