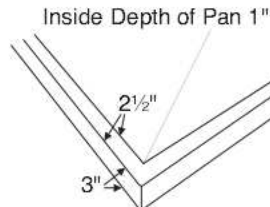
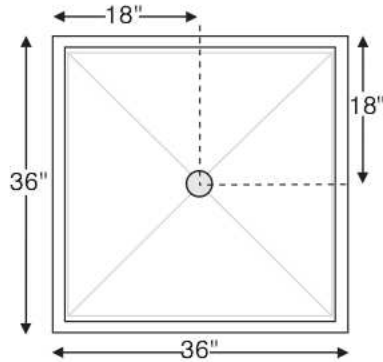


## MTSB-3636MT

36" x 36" x 3"

Low-Profile, Multiple Threshold  
Center Drain / Square



NOTE: When ordering, please specify tile flange locations.

**Standard Colors:** Part # SB3636MT **\$1,193** Choose from:  
White (CWH), Bone (CBN), Biscuit (CBS), Almond (CAL)

**Other Colors:** Part # SB3636MTGRP1 **\$1,406** Choose from:  
Black (CBL), Cashmere (CCM), Ice Gray (CIG), Red (CRED)  
Mexican Sand (CMS), Sandbar (CSB), Sterling Silver (CSS)

Quick Ship/Priority - reduces lead time (QSPRI) Call for availability. **\$299**

### Options

PVC Drain Kit with Chrome cover (included with shower base)

Also available in the following finishes:

Brushed Nickel (SBDKBN) **\$69**

Special Finishes (SBDKSF) **\$450** Send sample - allow 2 weeks.

Solid Brass Drain Kit with Stainless cover (SBDKSB) **\$156**

Pre-Leveled Foam Base (PLFSB) **\$149** Eliminates the need to wet bed.

### Teak Accessories - See sec. D

Teak Shower Tray (TK-3636MT) **\$499**

Teak Shower Seat (various sizes available) **From \$749**

Teak Bath Mat (TK-MAT3018) (custom sizes also available) **\$345**

### CONSTRUCTION AND STANDARD FEATURES

- Multiple threshold design; 3.5" drain opening pre-drilled.
- Low-profile, narrow threshold and shallow pan.
- Factory-installed tile flange on 1, 2 or 3 sides to facilitate installation.  
*PLEASE SPECIFY WHICH SIDES WHEN ORDERING.*
- Textured bottom that meets ASTM F-462-1994 certification requirements for safer showering.
- Durable Lucite® cast acrylic shell is extremely scratch- and stain-resistant, yet renewable because the color goes all the way through the material.
- Non-porous surface makes cleaning and sanitizing faster and more effective.
- Multi-layered backing of thick fiberglass / resin / titanium encloses wood reinforcement to prevent flexing of floor pan.
- At least 30% thicker and stronger than other makes.
- Lead time - 5 business days.
- 10-year Limited Residential Warranty.
- Shipping Weight: 65 lbs

SHOWER BASE INSTALLATION: Add bedding compound to fully support bottom of shower base. MTI's optional Pre-Leveled Foam Base requires no additional bedding compound or support. See installation instructions. Measurements are  $\pm 1/2"$  and are subject to change without notice. Data herein supersedes all previous prior to publication date indicated below.