



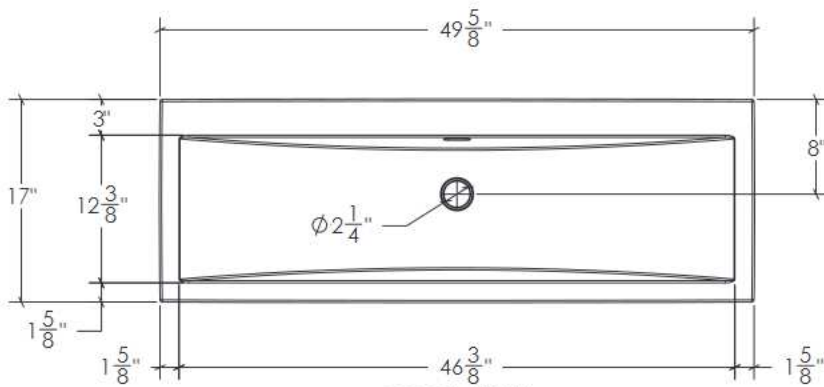
## MMA-604

### FEATURES:

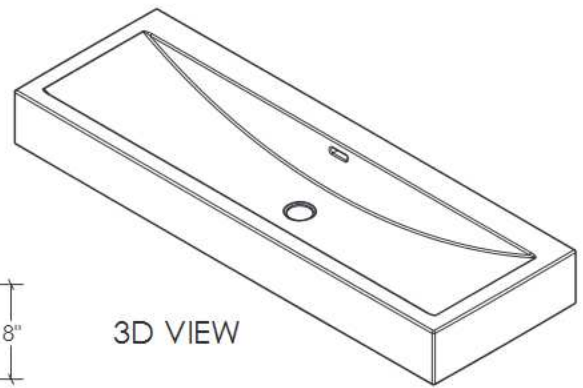
- \* Sink Size: 49 5/8" x 17" x 6 7/8"
- \* Material: Solid Surface
- \* Counter Top Sink with Deck Mount Hole
- \* Recommended Drain: DS-001
- \* For Faucets with Overflow
- \* For Use With Standard Pop Up Drain
- \* Warranty: One Year Limited Warranty

### CODES / STANDARDS APPLICABLE

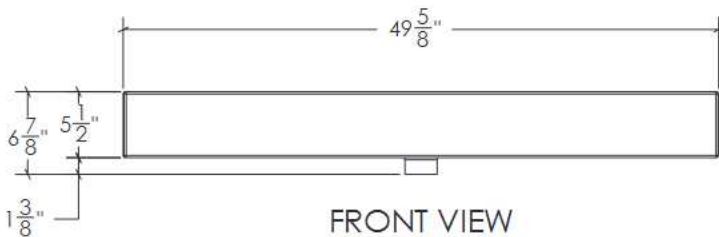
- \* CSA B45
- \* ASME A112.19.2



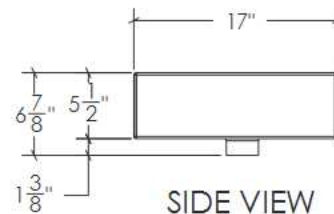
TOP VIEW



3D VIEW



FRONT VIEW



SIDE VIEW

## JOB INFORMATION:

Job Name \_\_\_\_\_  
Date Specified \_\_\_\_\_  
Contractor \_\_\_\_\_

\* Specifications and drawings provided on this sheet are for illustration only. Cantrio Koncepts will not be held responsible for cutouts made without the actual product or product template.