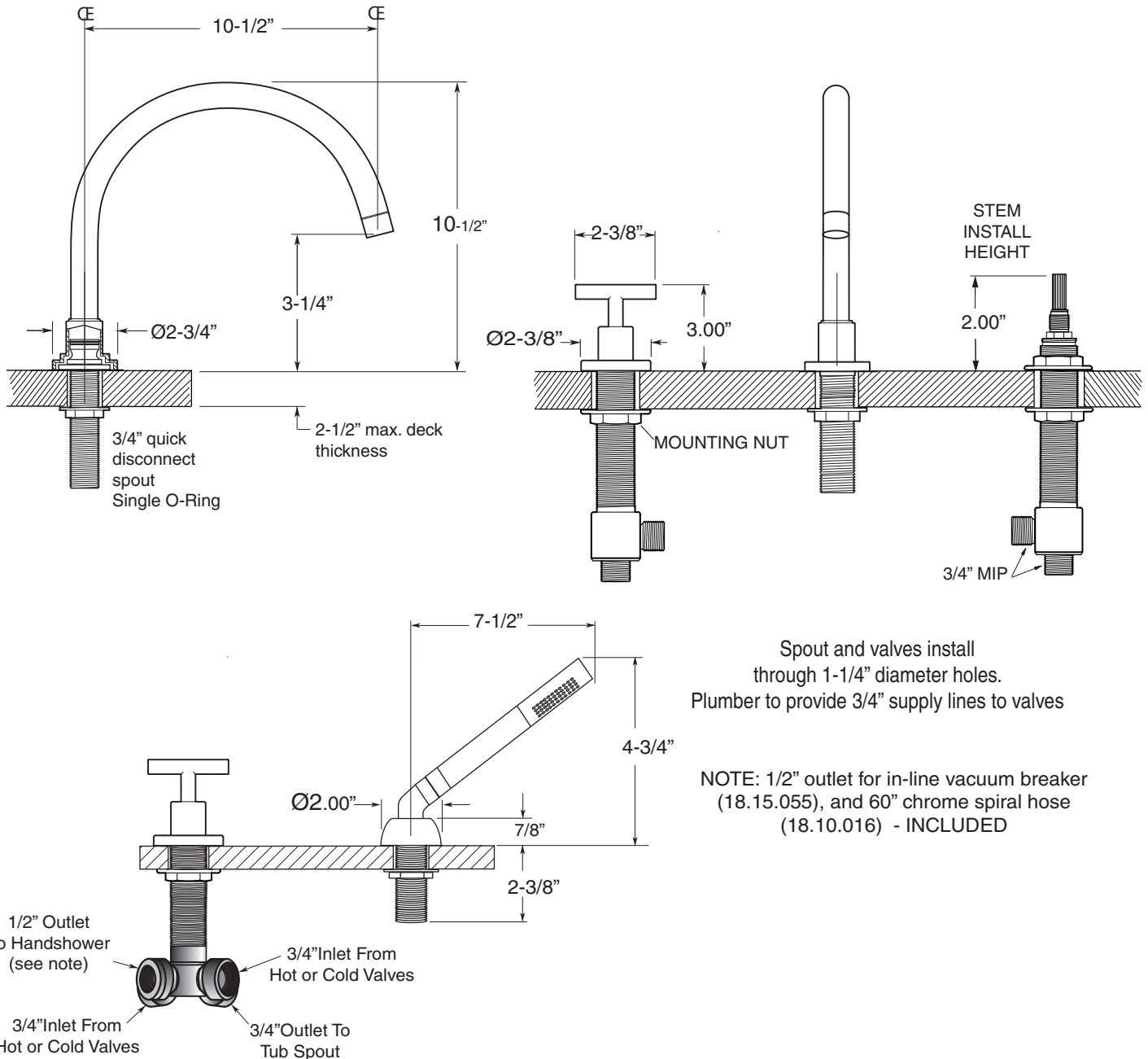


**FEATURES:**

- All brass construction.
- Cross handle style with inside screw attachment.
- 3/4" valve bodies with 20 pt. 1/4-turn ceramic disc cartridge.
- Available in all finishes. Warranty varies according to finish.
- Certified to meet or exceed the following codes and standards:  
ASME A112.18.1-2005/CSAB 125.1-2005

Specifications  
**Series 3400**

Ceres II  
Roman Tub Set with Deckmount  
Handshower and Diverter  
1.345093  
(1.345093T - Trim only)



Spout and valves install through 1-1/4" diameter holes.  
Plumber to provide 3/4" supply lines to valves

NOTE: 1/2" outlet for in-line vacuum breaker (18.15.055), and 60" chrome spiral hose (18.10.016) - INCLUDED

Note: Measurements are subject to change or cancellation. No responsibility is assumed for use of superseded or voided pages.

# Parts List Series 3400

## Ceres II Roman Tub Set with Deckmount Diverter and Handshower

