



1/2" coaxial thermostatic 2 ways system
with spout and hand shower rail

KIT#1223VSTMXX



Specifications

Composition

- 710 - Elbow supply
- 1010 - Hand shower rail
- BM80 - Wall tub spout
- VSTM23 - 1/2" 2 way thermostatic coaxial valve with service stops

Available colors

- C : Chrome
- BN : Brushed nickel (PVD)

Certifications

- CSA B125.1
- ASME A112.18.1
- ASSE 1016

Sizes, models and finishes may differ from those presented.

Warranty

The Riobel inc. product carries a limited LIFETIME warranty on the finish Chrome, Gold (PVD), Brushed nickel (PVD), Night brushed (PVD), Polished nickel (PVD) and all working parts and is guaranteed from the initial date of purchase against all manufacturing defects. Other finished 1 year.

Customer service

Ontario, West Canada : 888-287-5354 Quebec, Maritimes, United States : 866-473-8442



Elbow supply
710XX

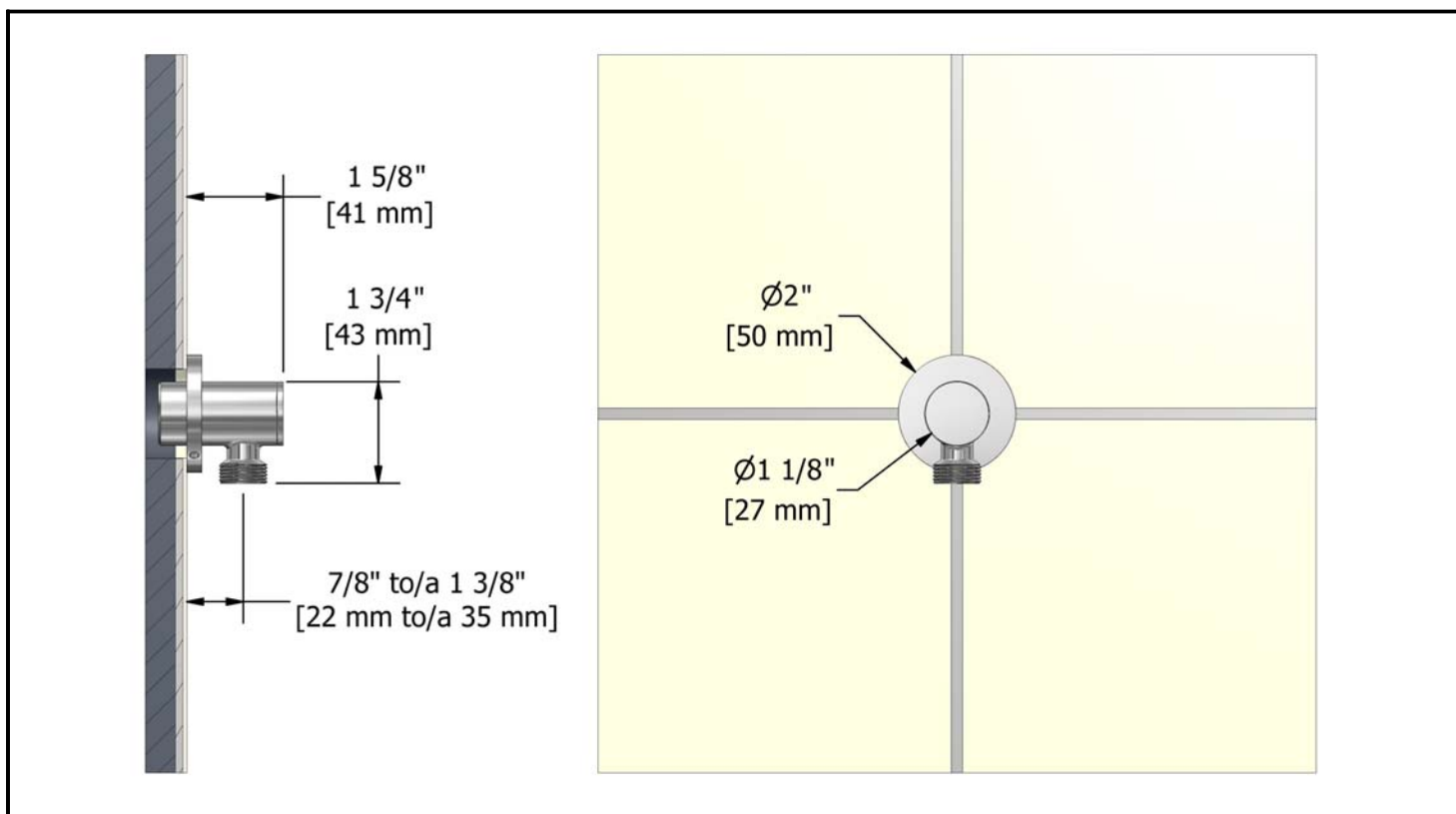
Specifications

Descriptions

- ½" female inlet NPT
- ½" male outlet
- Solid brass
- Depth adjustable

Available colors

- C : Chrome
- PN : Polished nickel (PVD)
- BN : Brushed nickel (PVD)



Sizes, models and finishes may differ from those presented.

Warranty

The Riobel inc. product carries a limited LIFETIME warranty on the finish Chrome, Gold (PVD), Brushed nickel (PVD), Night brushed (PVD), Polished nickel (PVD) and all working parts and is guaranteed from the initial date of purchase against all manufacturing defects. Other finished 1 year.

Customer service

Ontario, West Canada : 888-287-5354 Quebec, Maritimes, United States : 866-473-8442



Hand shower rail

1010XX



Specifications

Descriptions

- 10, 4 jet hand shower with pause
- 150 cm (59") double interlock flexible hose and swivel
- Ø19 mm (¾") slide bar

Available colors

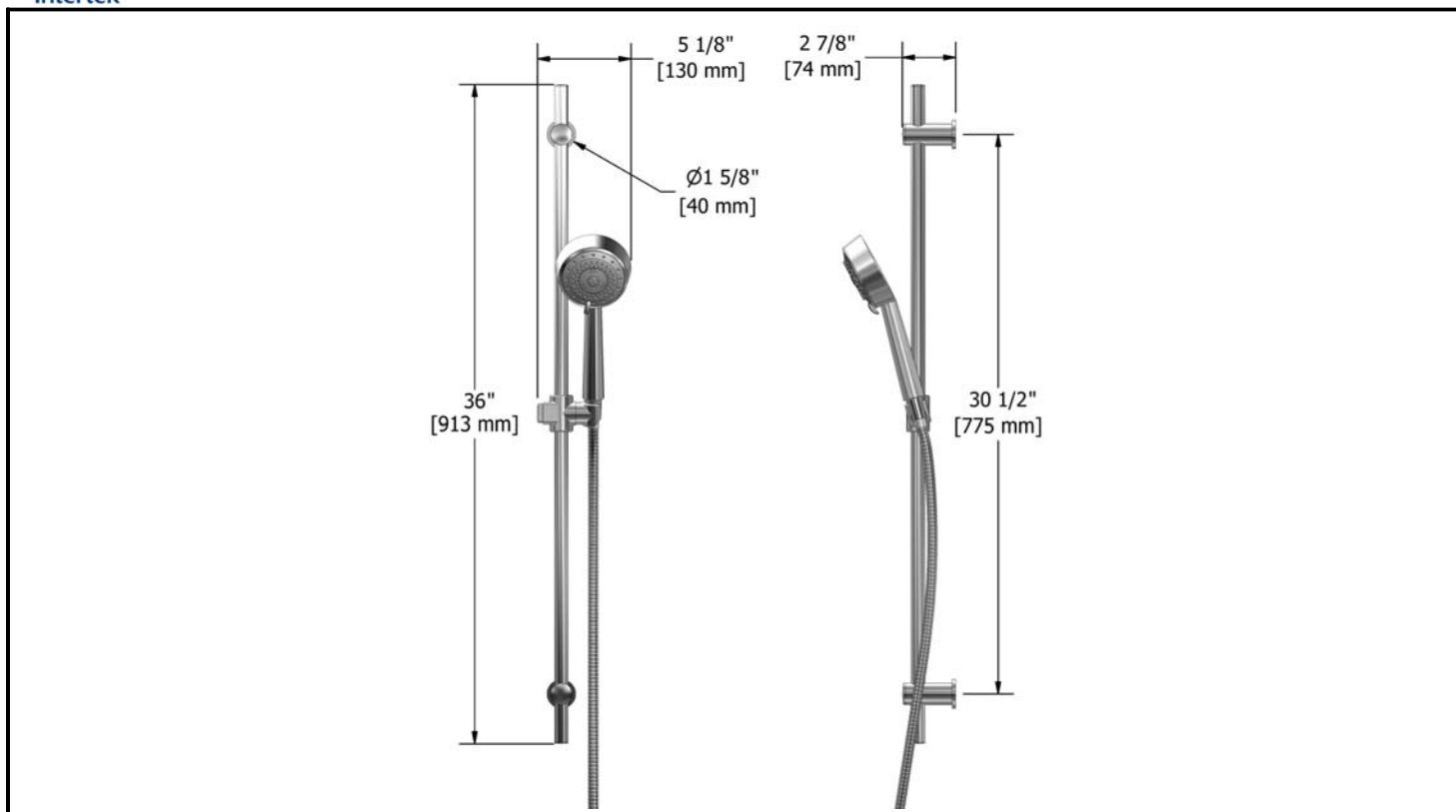
- C : Chrome
- PN : Polished nickel (PVD)
- BN : Brushed nickel (PVD)

Flows

- Flow 9.5 L/min, 2.5 gpm (US) 60psi

Certifications

- CSA B125.1
- CMR248 Approval
- ASME A112.18.1



Sizes, models and finishes may differ from those presented.

Warranty

The Riobel inc. product carries a limited LIFETIME warranty on the finish Chrome, Gold (PVD), Brushed nickel (PVD), Night brushed (PVD), Polished nickel (PVD) and all working parts and is guaranteed from the initial date of purchase against all manufacturing defects. Other finished 1 year.

Customer service

Ontario, West Canada : 888-287-5354 Quebec, Maritimes, United States : 866-473-8442



Wall tub spout
BM80XX

Specifications

Descriptions

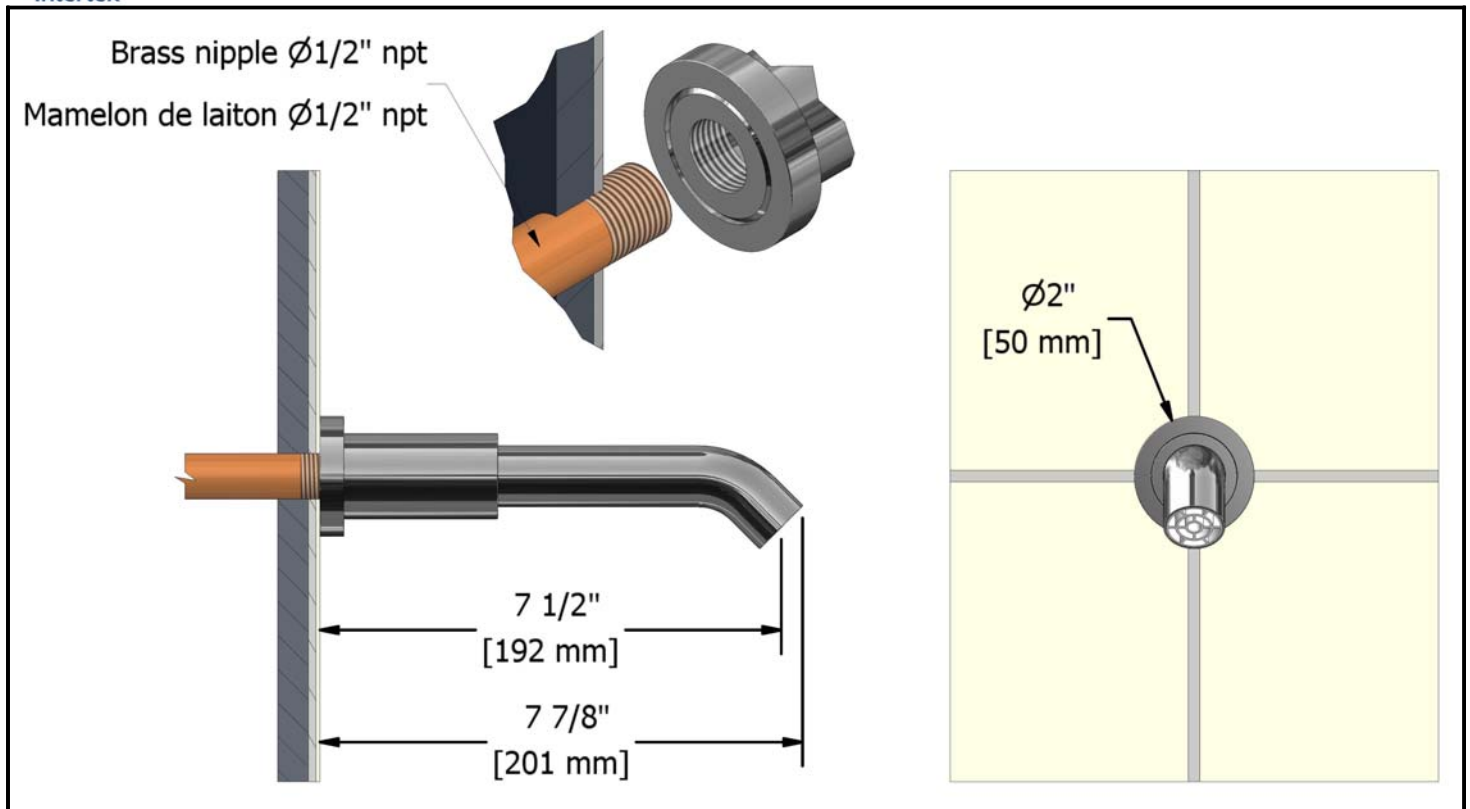
- ½" female inlet NPT
- Solid brass

Available colors

- C : Chrome
- PN : Polished nickel (PVD)
- BN : Brushed nickel (PVD)

Certifications

- ASME A112.18.1
- CMR248 Approval
- CSA B125.1



Sizes, models and finishes may differ from those presented.

Warranty

The Riobel inc. product carries a limited LIFETIME warranty on the finish Chrome, Gold (PVD), Brushed nickel (PVD), Night brushed (PVD), Polished nickel (PVD) and all working parts and is guaranteed from the initial date of purchase against all manufacturing defects. Other finished 1 year.

Customer service

Ontario, West Canada : 888-287-5354 Quebec, Maritimes, United States : 866-473-8442



Specifications

½" 2 way thermostatic coaxial valve with service stops

VSTM23XX



Descriptions

- ½" male inlet NPT or sweat
- 2 outlets ½" males NPT or sweat
- Coaxial thermostatic cartridge with check valves
- Service stops
- Solid brass
- 4 positions (OFF, 1, 2, 1 and 2)

Available colors

- C : Chrome
- BN : Brushed nickel (PVD)

Flows

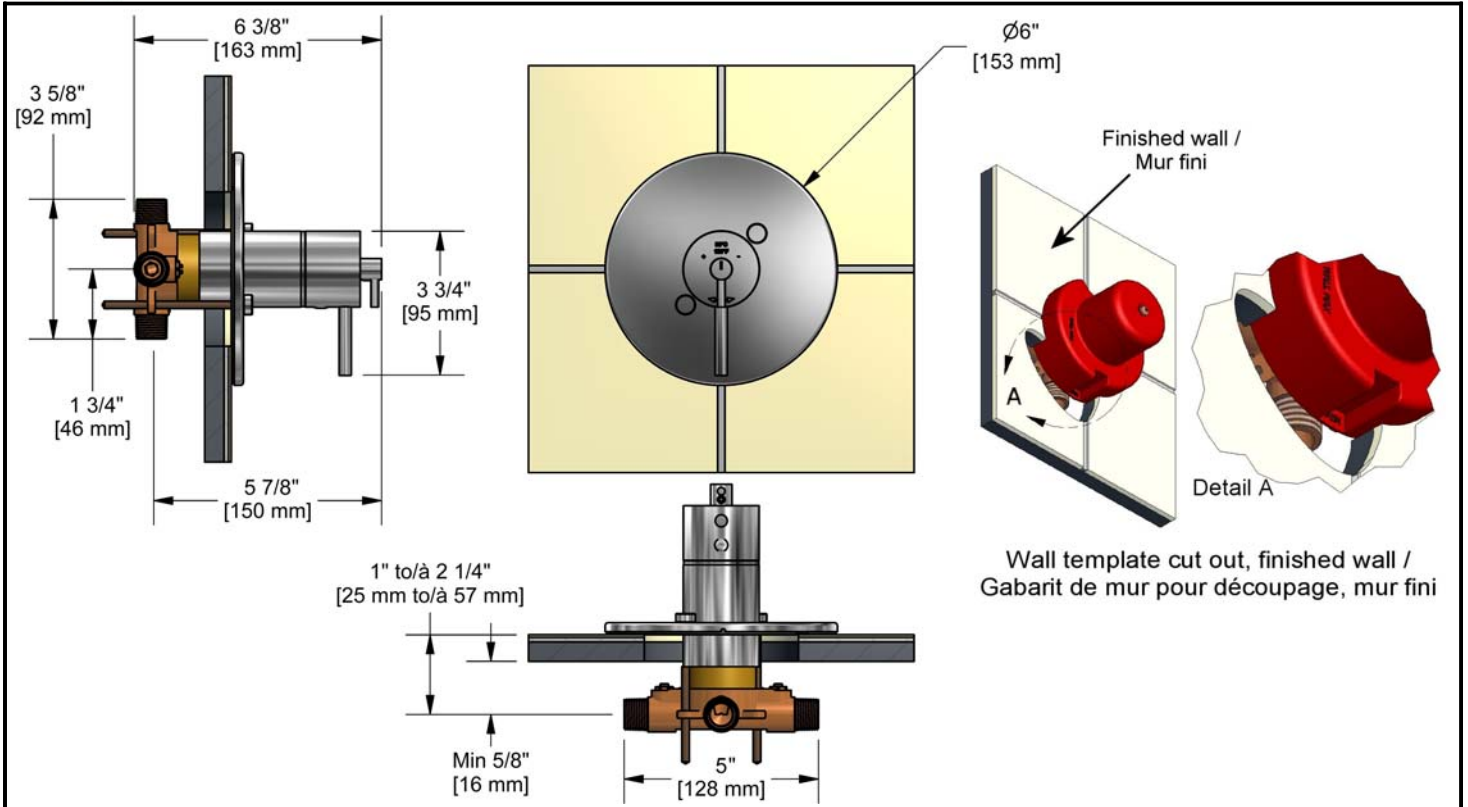
- Flow 30 L/min, 7.9 gpm (US) 60psi
- For use with shower heads rated at 7L/min (1.8 gpm) or higher

Cartridges

- 401-323

Certifications

- ASME A112.18.1
- CSA B125.1
- ASSE 1016



Sizes, models and finishes may differ from those presented.

Warranty

The Riobel inc. product carries a limited LIFETIME warranty on the finish Chrome, Gold (PVD), Brushed nickel (PVD), Night brushed (PVD), Polished nickel (PVD) and all working parts and is guaranteed from the initial date of purchase against all manufacturing defects. Other finished 1 year.

Customer service

Ontario, West Canada : 888-287-5354 Quebec, Maritimes, United States : 866-473-8442