



ALTMANS™

PASSIONE

Trim Only for 1/2 inch Pressure balanced Shower Set

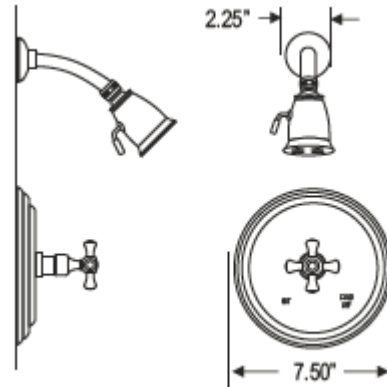
PB1T

Handles: H1



Codes and Standards

- ASME A112.18.1/CSA B125.1-11
- IAPMO US AND CANADA



ALTMANS RESERVES THE RIGHT TO
MODIFY AND CHANGE SPECIFICATIONS
AT ANY TIME. PLEASE VERIFY DIMEN-
SIONS PRIOR TO INSTALLATION

Color/Finishes

- Polished Chrome, PVD Satin Nickel Only

Features and Benefits

- Valve 0S35TPR Ordered Separately
- Includes head, arm, and flange
- Brass Construction