

**23" WHITESBORO
TROUGH SINK**

Cat. No
TSSSB2126-SS



W: 23-1/4"
D: 8-1/2"
H: 6-1/2"

Features:

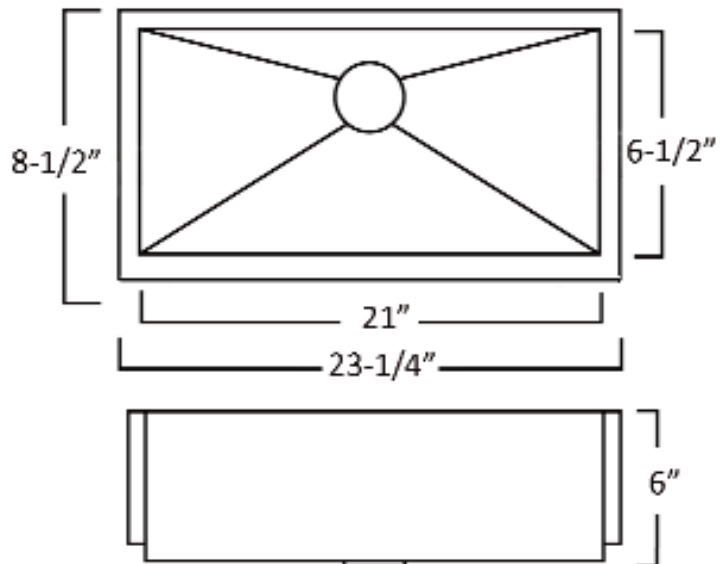
- ▶ Solid 16 gauge, 304 grade metal construction
- ▶ Zero radius corners
- ▶ Matte finish
- ▶ Lip is 1-1/8" wide
- ▶ Insulated for sound reduction
- ▶ Compatible with 3-1/2" drain
- ▶ Drains sold separately

Compliance Certification
Meets or exceeds the following
specifications: ASME
A112.19.3-2001 for Stainless Steel.

***Please do NOT cut hole without
template or actual product.**

Interior Dimensions:

Basin Interior: 21" W x 6" D
Basin Depth: 6"



Dimensions of fixture are nominal and may vary within the range of tolerances established by ANSI Standard A112.19.2. Dimensions and specifications subject to change without notice.