

SS-SHV1.2

SINGLE CONTROL PROGRESSIVE VALVE

SS-THV2.2 TWO HANDLE ROUGH (HOT AND COLD VOLUME CONTROLS)

Note:

- USE TEFLON TAPE OR PIPE SEALANT FOR THREADED CONNECTIONS
- DO NOT USE PLUMBER'S PUTTY ON ANY OF THE BRASS COMPONENTS
This will cause the finish to tarnish and void the warranty. A non-corrosive Alkoxy Silicone is recommended.
- DURING SWEATING OF LINES DO NOT OVERHEAT CASTING
Overheating may cause damage to internal mechanism and void the manufacturer's warranty as well as increase the risk of scalding.
- COPPER ADAPTORS MAY BE REQUIRED TO COMPLETE YOUR INSTALLATION

DIAGRAM A

Measurements are from the tip of the stem to the finished wall

HANDLE TRIM #	MEASUREMENT (IN)	HANDLE TRIM #	MEASUREMENT (IN)	HANDLE TRIM #	MEASUREMENT (IN)	HANDLE TRIM #	MEASUREMENT (IN)
A	3	CC30/ CC31	3	HH/ I	3	U1	3 1/2
AA	3 1/4	CC40/41/42	2 1/4	IN14/IN16	3	U3/U4/U5	3 1/4
AQ	2	CC51	1 3/4	KK	2 1/4	U6/U7	3 1/4
AX	3	CC61	2 1/2	L4/ L5/ L6	1 3/4	U8	1 3/4
AZ1	2 1/2	CL14/ CL15	2 5/8	N2/ N3/ N4	2 1/4	V	2 1/4
B4/ B5	3	CL16	2 1/8	N5	2 1/2	V1	1 1/2
B9	2 1/8	CRY4	3 1/8	R1/ R2	1 1/2	V2/W	2
BB/ CC	3 1/4	CRY5	2 7/8	R3	2 1/4	WA/ WB	2 1/2
BL1	1 3/8	D	3	S	2 3/4	WC/ WD	2 1/2
BL2/ BL3	1 1/2	D5/ D6	2 1/2	S1/S1A/S2/S3	2 1/4	WW	3 1/2
BK	1 5/8	DD	3 1/4	SA1	2 3/4	X	2 3/4
BG4/ BG5	2 3/4	DD2/ DD3	1 7/8	SA2/ SW	3	XJ/ XM/ XN	2"
BV01/ BV02	3	E/ F/G	3	T	2 1/2	XO/ XQ	2"
BV05	2	ED1	1 1/4	T1/ T4	2 1/2	XX	3
BV09	3	ED2/ ED3	1 3/8	T6/T7/T8/T9	3	Y	2 3/4
BV13	2 1/2	ED4	1 1/4	T1A/T1B	1 3/4	Y2	2 1/4
BV81	2 1/4	EV4	1 7/8	TR14/ TR15	3	YY	3
CC11	2 1/2	H	3 1/4	TR24/ TR25	2 1/8	Z	2 3/4
CC20/21/22	2 1/4	H4	2 1/4	U	2 1/2	ZZ	3

NOTE: WHEN FITTING HANDLE IT MAY BE NECESSARY TO SHORTEN BROACH STEM AND/ OR THREADED NIPPLE TO MINIMIZE GAP BETWEEN HANDLE AND ESCUTCHEON

Valve Installation

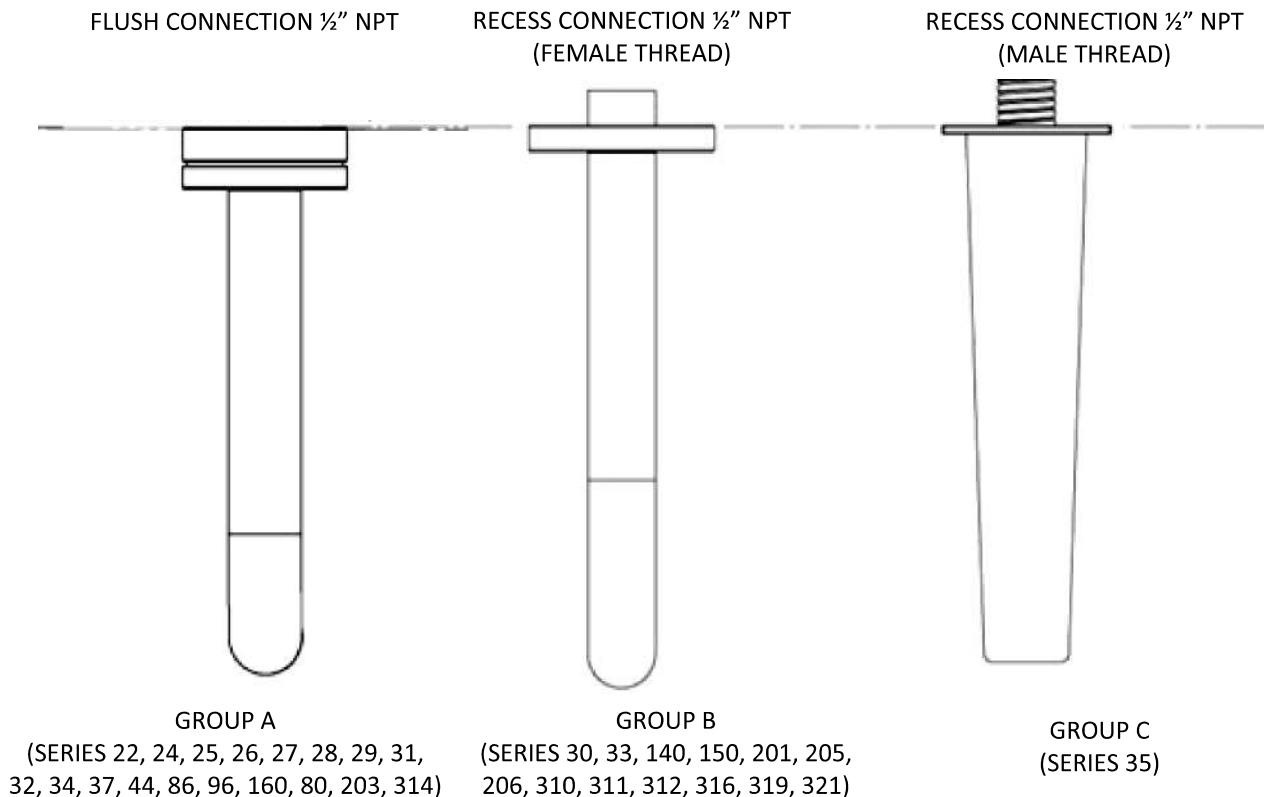
- Carefully remove all parts from the box. These units should contain the following parts:
 - For Wall mounted – single lever faucets refer to Diagram B.
 - For Wall mounted – two handle faucets refer to Diagram C.
Note that "T" connection and Nipples do not come provided.
- Place the valve rough body in position according to installation Diagram A.
 - **Measure from the tip of the stem to the finished wall.** Be sure to have additional stem length available in case of extra float for tile, marble or other surface material.
- Sweat lines so that water follows arrow on valves.
- Test valve after it is installed.

Note: Single handle valves will not operate unless both Hot and Cold water supplies are turned on.

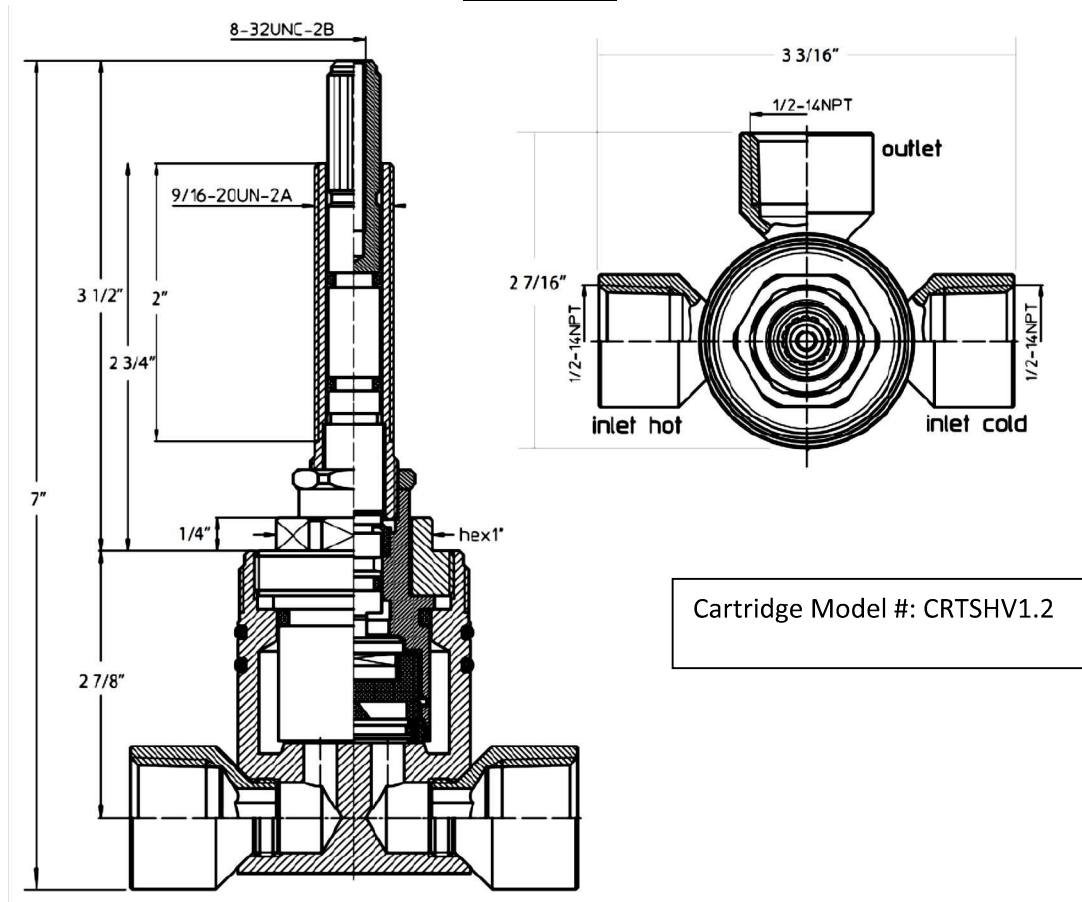
 - Run valve for 30 seconds and check for leaks

5. Once valve has been tested proceed to close wall. Be sure to leave holes large enough to access the stem.
6. Install Trim.
 - Mount and hand tighten escutcheons to all thread nipples.
 - Install handles on valves. Stems can be cut down if necessary.
 - **NOTE:** Female thread is 2" deep.
 - **NOTE:** For two handle valves:
 - For heavier lever handles tighten stem tension adjustment nut.
 - It is recommended that the handles close in a horizontal position (9:00 and 3:00 going from left to right) and open up towards 12:00 in case of loss of water pressure.
 - **NOTE:** Alignment kits are provided to aid in positioning handles horizontally.
 - If valve is set too far in the wall, 1" extension kits may be ordered:
 - Model # SS-EXT60 for SS-THV2.2 two handle wall rough
 - Model # SS-EXT20 for SS-SHV1.2 single handle wall rough
7. Install lavatory spout.
 - Connect brass threaded nipple from the center of the tee connection to the lavatory spout. It may be necessary to cut down the nipple. Refer to Diagram D
 - **Note:** Trims with spout from Group A require the nipple to extend 1/2" beyond the finished wall.
 - Trims with spouts from Group B require the nipple to be recessed 1/2" behind the finished wall.
 - Trims with spouts from Group C require a female nipple to be recessed 1/2" behind the finished wall.

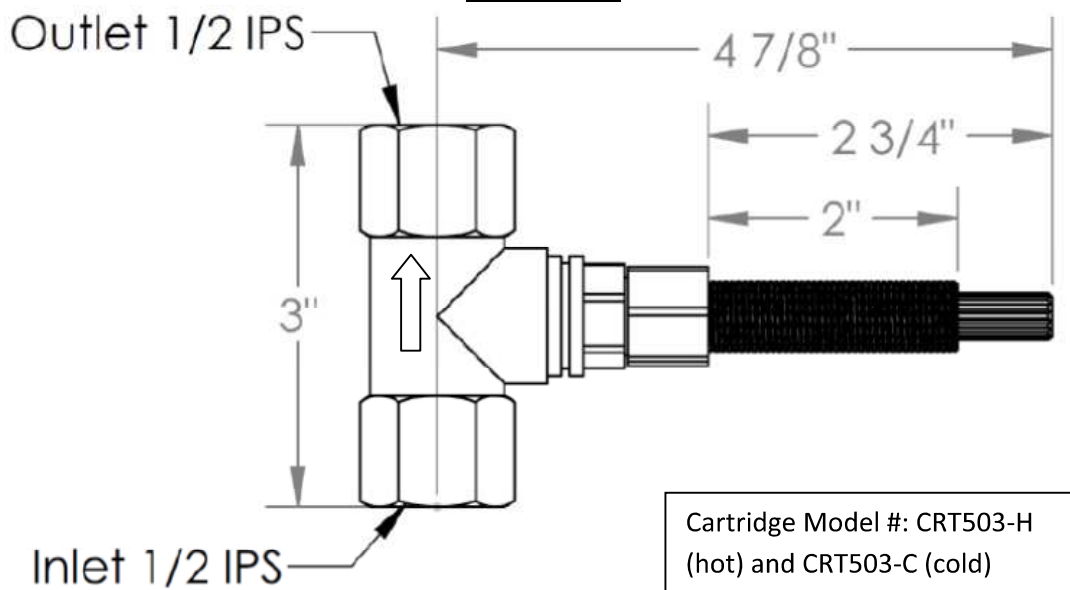
Diagram D



SSSHV1.2



SSTHV2.2



Rev. 6/2013