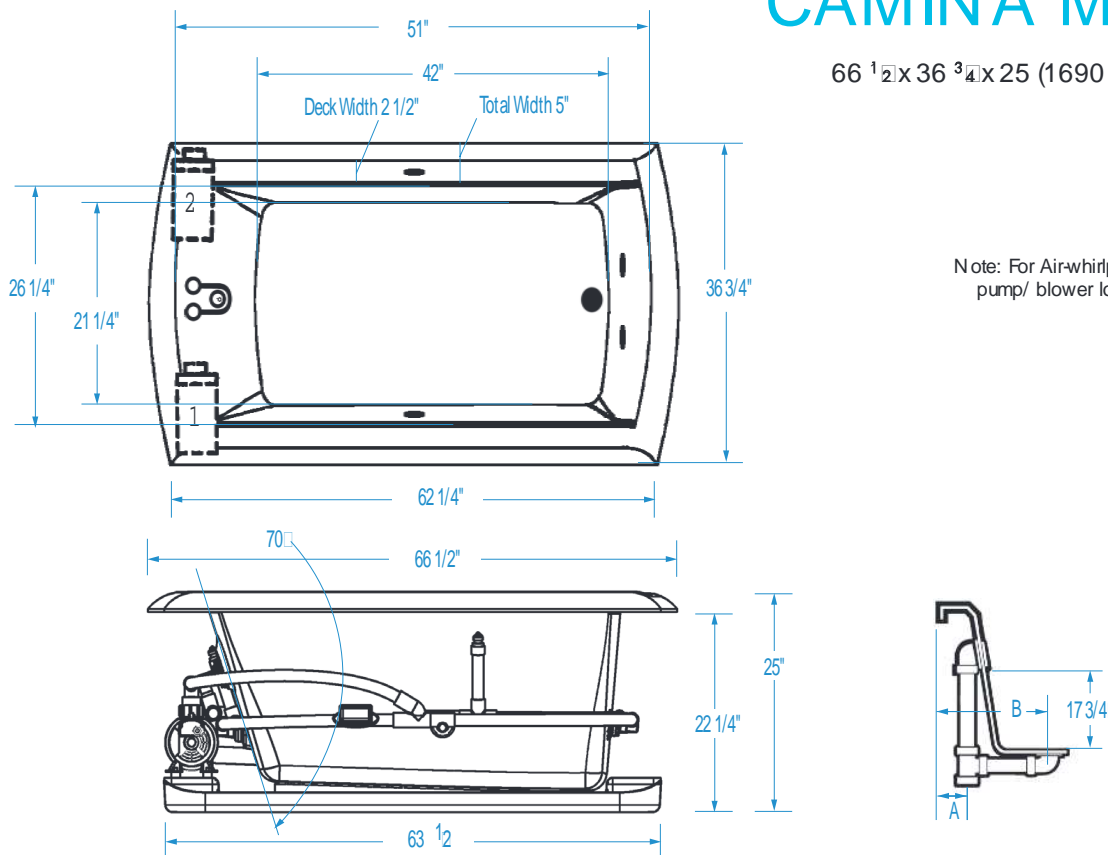


# CAMINA MOTIF

66 1/2" x 36 3/4" x 25" (1690 x 930 x 635)  
inches (mm)



Note: For Air-whirlpool, no alternate pump/ blower location available.



**FEATURES** lbs (kg) Dimensional Tolerance □ 3 8 □ Dimensions needed for site preparation should be measured from the unit. Aquatic assumes no responsibility for preparatory work.

Type and Model #	Material	Jets	Pump	Air System	Blower	Heater	Controls	Drain	Pkg. Wt.
Whirlpool #A16636M	Acrylic	7	1.75 HP	-	-	1.5 kw Inline (optional)	Electronic	Universal	208 (95)
Air-Whirlpool #A136LUX6636	Acrylic	7	1.75 HP	Channel	Variable speed	1.5 kw Inline	Electronic	Universal	250 (113)

## DIMENSIONS inches (mm)

Width Overall / Net	Depth Overall / Net	Height Overall / Net	Skirt Height
66 1/2" (1690)	36 3/4" (930)	25" (635)	□

## SUMP DATA inches (mm)

Capacity to Overflow gal (ltr)	Min. Operating Capacity gal (ltr)	WIDTH @ centerline		DEPTH @ centerline	
		Top	Bottom	Top	Bottom
76 (288)	57 (216)	51 (1295)	42 (1065)	26 1/4" (665)	21 1/4" (540)

## PLUMBING DIMENSIONS inches (mm)

A	B	Drain Diameter / Clearance
5 1/2" (140)	13 1/2" (345)	

## ELECTRICAL DATA

Component	Specification	Requirement
Pump	1.75 HP, 12 AMP, 120V	15 AMP, 120V, separate circuit; Class A GFCI
Optional Heater	1.5 kW; 12 AMP, 120V	15 AMP, 120V, separate circuit; Class A GFCI
Blower	1.0 HP, 9.5 AMP, 120V	15 AMP, 120V, separate circuit; Class A GFCI

### NOTES:

1) Where applicable, utilize cut-out templates packed with unit for deck cutouts.

2) 16 x 16 (405 x 405) minimum access required at pump/ blower location(s).

### NOTE:

1) This whirlpool must be hard wired to the breaker box. Three outlets will be supplied on the air-whirlpool.