

SPECIFICATIONS

Series 300/350

3 Port In-Wall Diverter

Valve & Trim

1.005589

St. Michel Handle

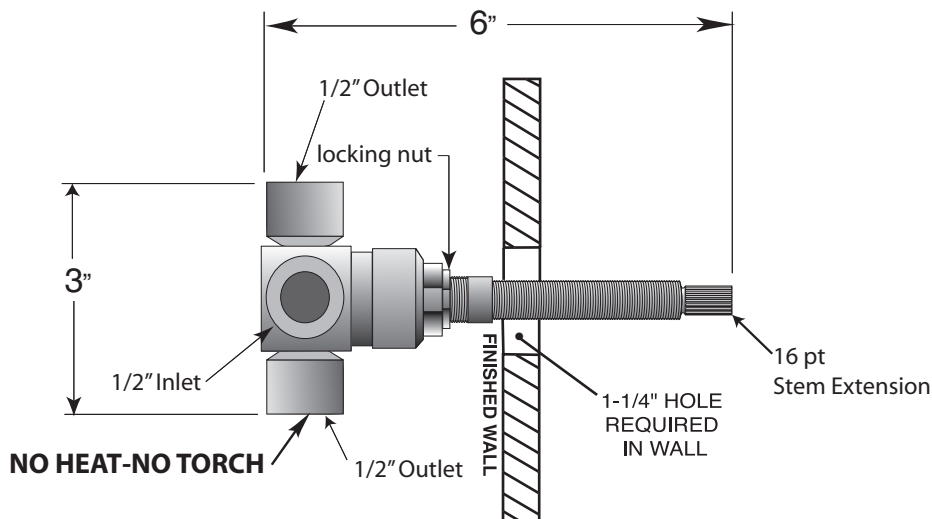
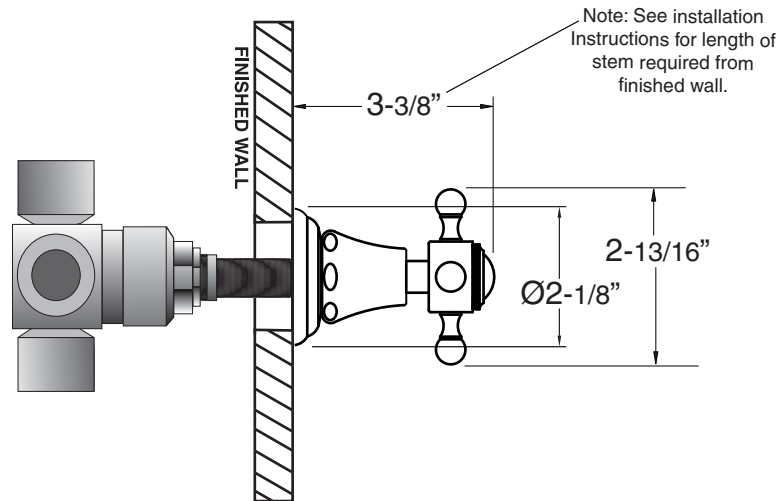
(1.005589T Trim Only)

FEATURES:

This product meets and exceeds the following codes and standards:

ASME A112.18.1-2005/CSAB125.1-2005

- Replacement Cartridge: No. 18.30.012
- One 1/2" inlet & two 1/2" outlets



Note: Measurements are subject to change or cancellation. No responsibility is assumed for use of superseded or voided pages.