



Specifications

½" coaxial thermostatic pressure balance valve with service stops

FM43XX



Descriptions

- ½" male inlet NPT or sweat
- 2 outlets ½" males NPT or sweat
- Coaxial thermostatic/pressure balanced cartridge with check valves
- Service stops
- Solid brass
- 1 integrated volume control

Available colors

- C : Chrome
- BN : Brushed nickel (PVD)

Flows

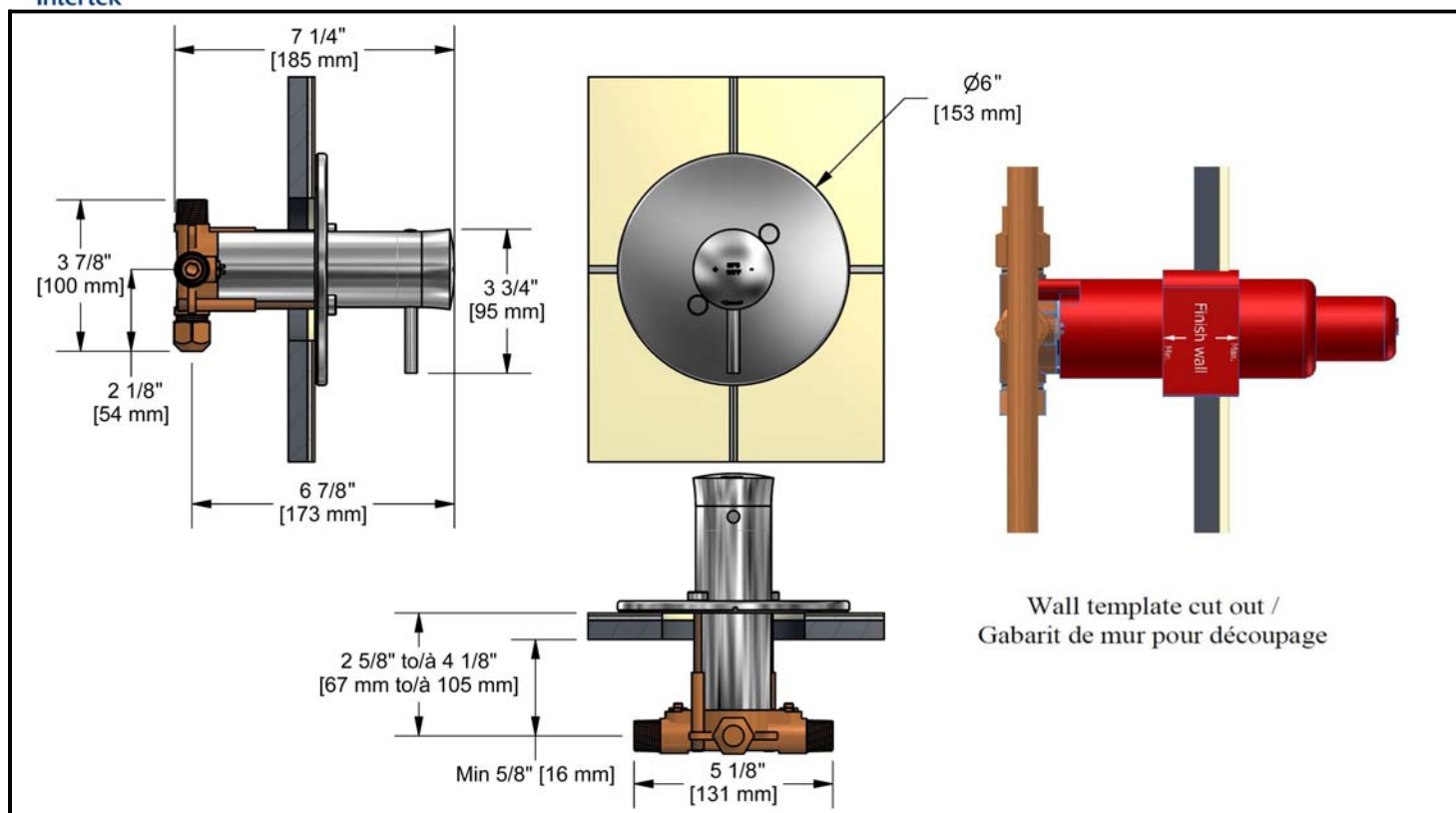
- Flow 41.4 L/min, 10.9 gpm (US) 60psi

Cartridges

- 0943

Certifications

- ASSE 1016
- ASME A112.18.1
- CSA B125.1



Sizes, models and finishes may differ from those presented.

Warranty

The Riobel inc. product carries a limited LIFETIME warranty on the finish Chrome, Gold (PVD), Brushed nickel (PVD), Night brushed (PVD), Polished nickel (PVD) and all working parts and is guaranteed from the initial date of purchase against all manufacturing defects. Other finished 1 year.

Customer service

Ontario, West Canada : 888-287-5354 Quebec, Maritimes, United States : 866-473-8442