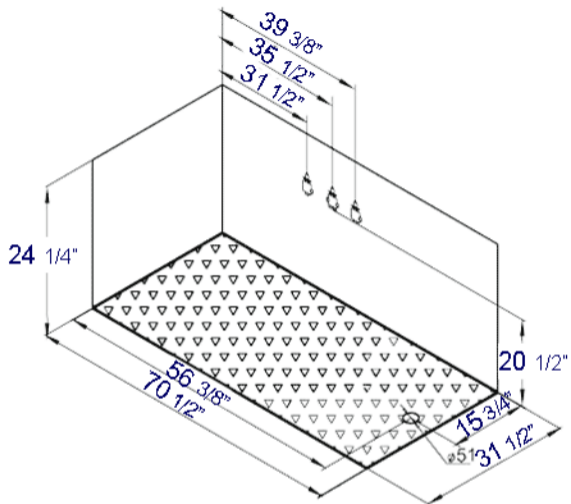
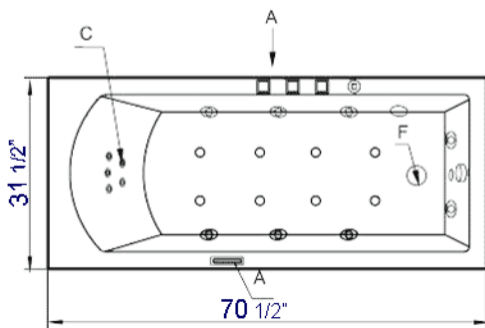


A



A. Electronic control panel C. Hydro-massage jet
 D. valve E. Handshower F. Waste