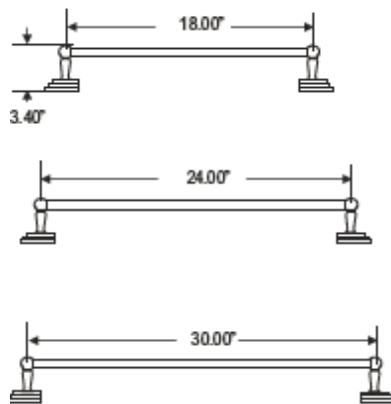


SCARAB

18" ,24" ,30" Towel Bar
900, 901,902
Handles/Escutcheon R23



900R23

901R23

902R23

ALTMANS RESERVES THE RIGHT TO
MODIFY AND CHANGE SPECIFICATIONS
AT ANY TIME. PLEASE VERIFY DIMEN-
SIONS PRIOR TO INSTALLATION

Color/Finishes

- Polished Chrome, PVD Satin Nickel
- Refer to pricelist for other finishes.

Features and Benefits

- Brass Construction
- Available in All Altmans Finishes