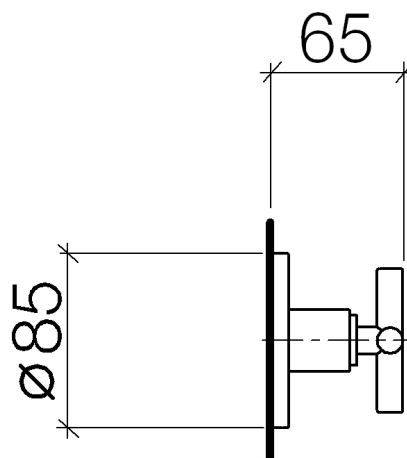




**Product specifications**

**Exposed trim parts only, rough to be ordered separately**

- Flange 3 3/8"





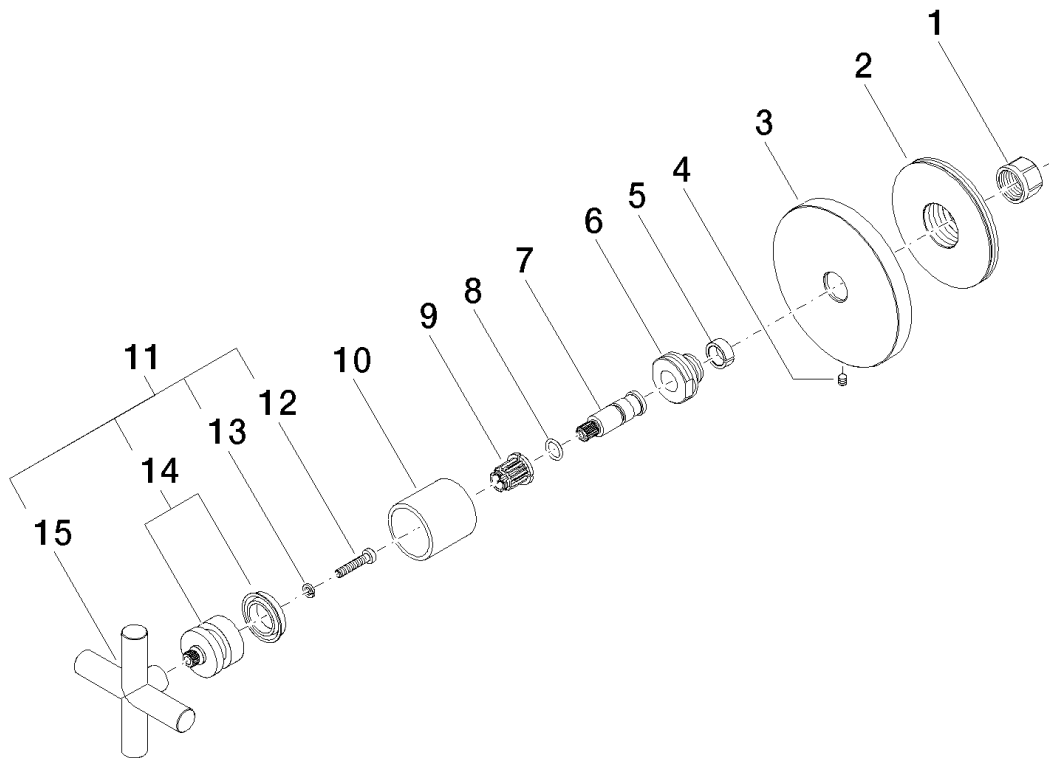
**Surfaces**

- chrome 36104892-00
- chrome 36104892-00
- matt platinum 36104892-06
- matt platinum 36104892-06
- platinum 36104892-08
- platinum 36104892-08
- matt white 36104892-10
- matt white 36104892-10
- matt black 36104892-33
- matt black 36104892-33

**Accessories required**

- Rough for two-way diverter; 35124970
- Rough for two-way diverter; 35124970
- Rough for three-way diverter; 35104970
- Rough for three-way diverter; 35104970

**Exploded assembly drawing**



**Order quantity**

<b>No.</b>	<b>Article number</b>	<b>Name</b>	<b>Installation quantity</b>
<b>1</b>	09233002390	nut	1
<b>2</b>	09210210990	cover	1
<b>3</b>	092789111ff	rosette	1
<b>4</b>	09311100790	pin	1
<b>5</b>	09141502090	ring	1
<b>6</b>	09240500290	nipple	1
<b>7</b>	09290602290	spindle	1
<b>8</b>	09141006090	seal	1
<b>9</b>	09121200290	fixing cap	1
<b>10</b>	092102144ff	sleeve	1
<b>11</b>	04208901000ff	handle	1
<b>12</b>	09303007590	screw	1
<b>13</b>	09301102990	disc	1
<b>14</b>	90121200700ff	base	1
<b>15</b>	092089010ff	handle	1