

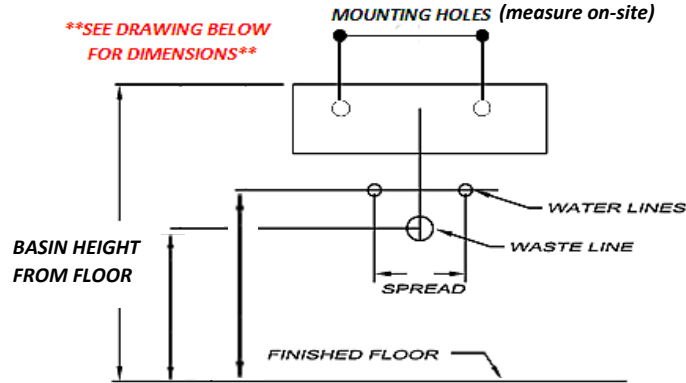
product name **Tasca Wall-Hung Basin**

item #- **WS06201F**

Installation Instructions

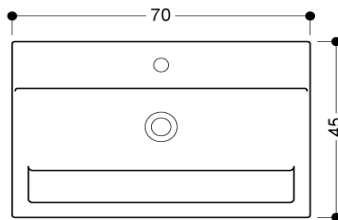
PRE-INSTALLATION MEASUREMENTS

BEFORE INSTALLATION DETERMINE DIMENSIONS FOR POSITIONING OF MOUNTING HOLES, WATER AND WASTE LINE HOLES (NEW CONSTRUCTION)

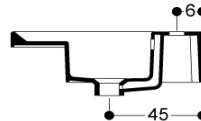


Dimensions are in centimeters (for inches divide centimeters by 2.54)
ceramic basins may vary slightly in size, verify basin dimensions on site before drilling holes

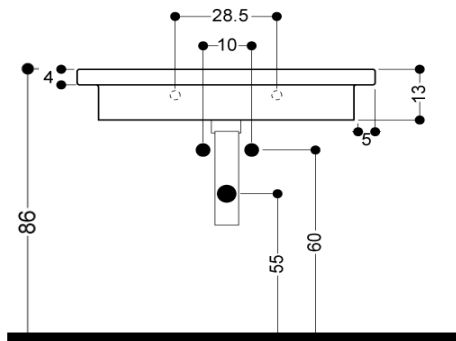
top view



side view



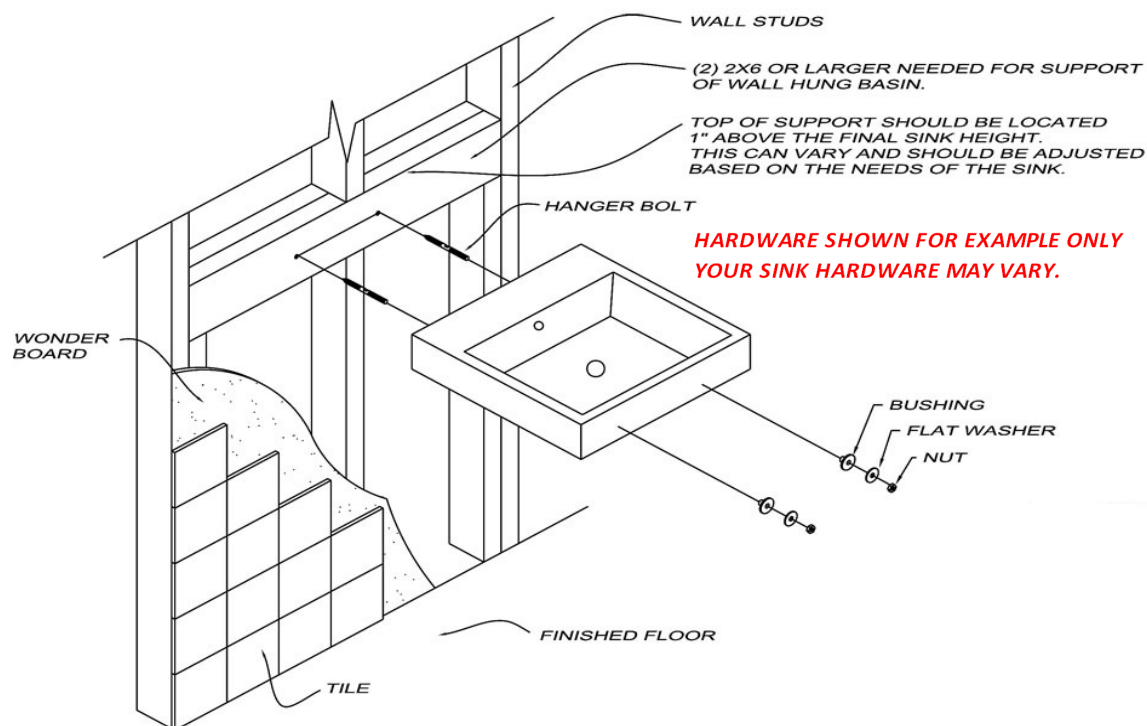
back view



height dimensions recommended by manufacturer may be adjusted according to personal preference. If changing height of basin, also adjust height of water and waste lines by the same amount. If using cabinet or shelf below basin, water/waste lines may need to be adjusted accordingly to accommodate trap assembly.

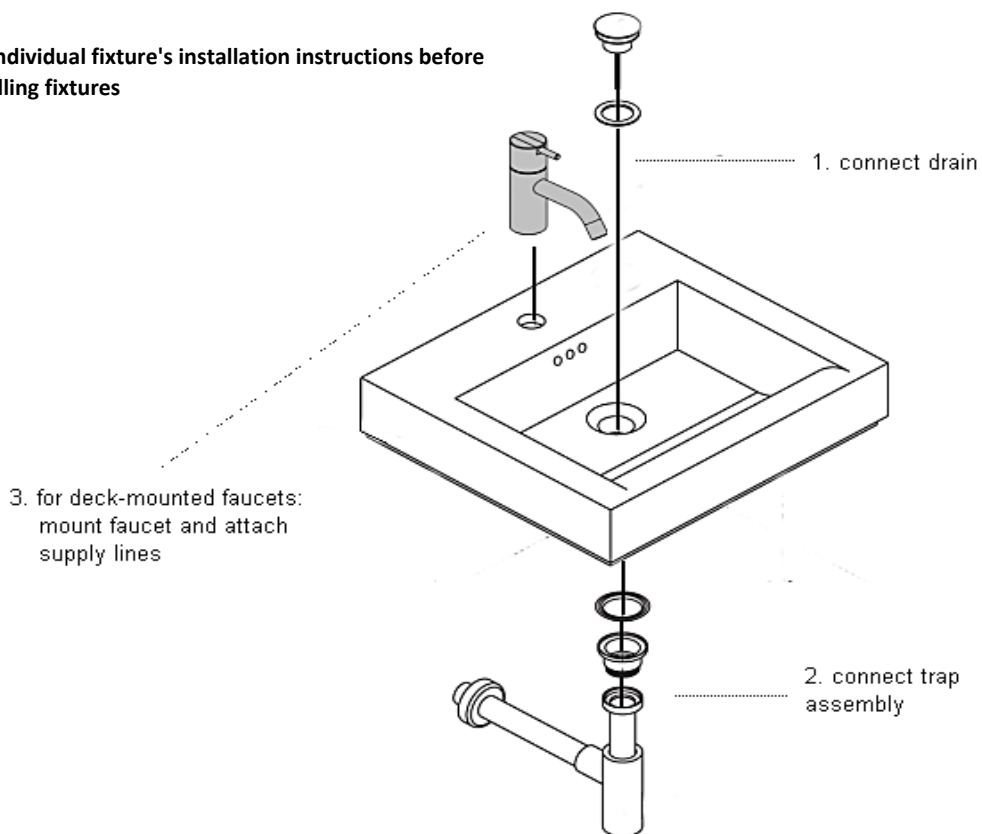
CONTINUED...

WALL-MOUNTING AND SUPPORT



MOUNT FIXTURES

see individual fixture's installation instructions before installing fixtures



CLEANING INSTRUCTIONS

Clean ceramic basin with warm water and soft lint free cloth, do not use abrasives or harsh chemicals

30 Commercial Street Freeport, New York 11520

Customer Service- 800-351-0038

www.hastingstilebath.com