



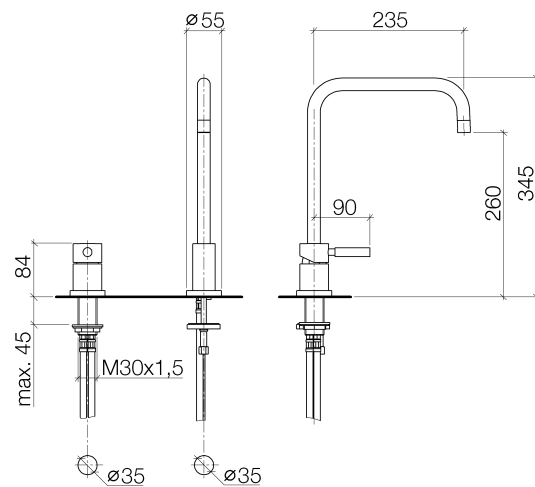
**Product specifications**

• **9 1/4" projection**

- Swivel spout 360°
- Total height 13 5/8"
- Height to aerator/spout outlet 10 1/4"
- Single-lever-mixer hole diameter 1 3/8"
- Spout hole diameter 1 3/8"
- M 18 x 1 aerator – female thread
- Ceramic disc cartridge
- M 10 x 1/2 flex line
- 3x M 10 x 1 x 16 1/2" high pressure hose
- Water flow rate limited to max. 1.5 gpm
- low lead compliant

[ADA]

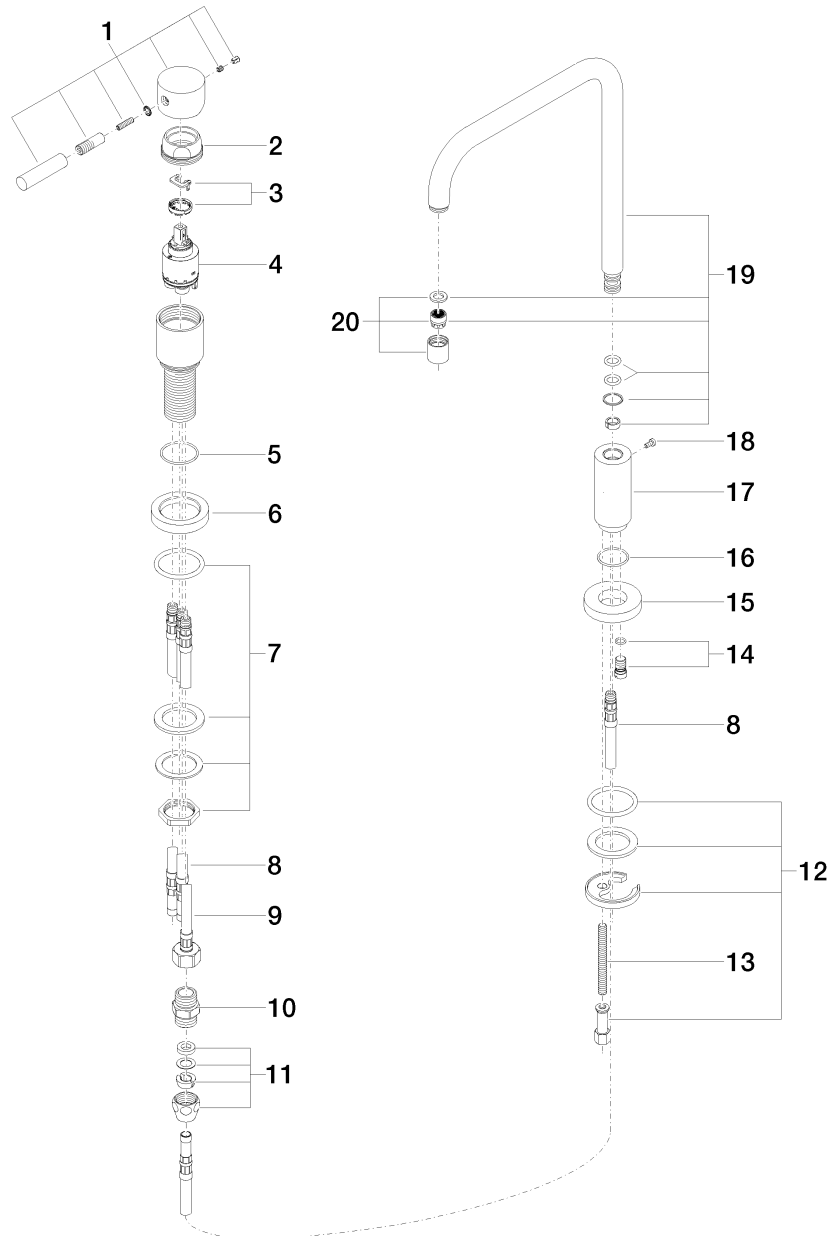
Flexible positioning of components



**Surfaces**

- chrome 32815625-000010
- matt platinum 32815625-060010

**Exploded assembly drawing**



### Order quantity

No.	Article number	Name	Installation quantity
1	90206204000ff	handle	1
2	092404107ff	nut	1
3	0428101480090	accessories	1
4	09150506390	cartridge	1
5	09141010290	seal	1
6	092810111ff	rosette	1
7	0423100324690	fixing set	1
8	0430040450090	hose	2
9	0430040190090	hose	1
10	0924031681090	nipple	1
11	04233004000ff	threaded connector	1
12	0430110380090	fixing set	1
13	09311101190	pin	1
14	0430040160090	hose	1
15	0431200461092	set	1
16	092810064ff	rosette	1
17	09141012090	seal	1
18	09111006210ff	connection	1
19	09303005790	screw	1
20	90282220902ff	spout	1
21	90230102800ff	aerator	1

