

NOTE: FITTING
MUST BE INSTALLED
WITH VOLUME CONTROL
ON TOP.

MODEL NUMBER:

TRIM KITS:

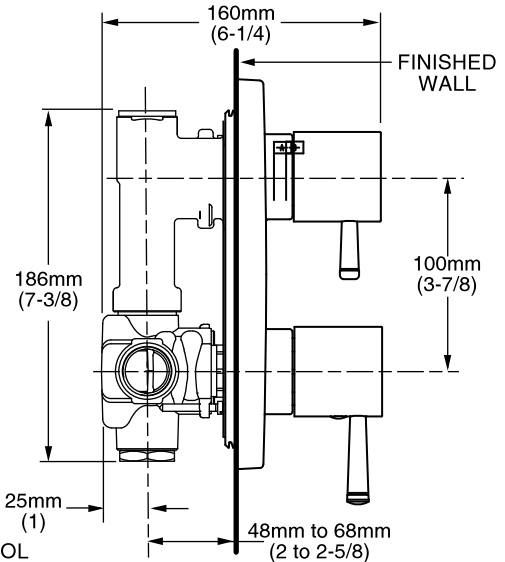
- ☐ **T064.740 Two-Handle Thermostat Trim Kit**
With separate volume control. LESS Valve.

ROUGH VALVES:

- ☐ **R520 Rough Valve Body only**
1/2" NPT inlets/outlets. With separate volume control. LESS Trim.
- ☐ **R540 Rough Valve Body only**
3/4" NPT inlets/outlets. With separate volume control. LESS Trim.

NOTE:

- When used as a Bath/Shower:
EITHER
 - a separate diverter valve (such as R420 or R430)
 OR
 - a diverter tub spout (requires twin ell - Model #8888.120)
 IS REQUIRED



GENERAL DESCRIPTION:

Cast brass valve body. The single unit contains two handles, the bottom lever handle sets the desired temperature and the top lever handle functions as an on/off, volume control. The temperature is maintained by a wax element moving a shuttle valve between hot and cold. The volume is controlled by twin ceramic disc valve cartridges. Ceratherm includes Hot Limit Safety Stop. Maximum temperature limit is 112°F. Escutcheon plate is stamped brass. Available with 1/2" or 3/4" NPT inlets and outlets. The valve has a high flow rate, ideal for multiple outlet installations.

PRODUCT FEATURES:

- Brass Casting:** Highest quality faucet material for durability & long life.
- Wax Thermostatic Unit:** Permits shuttle valve to move between the hot and cold seat to maintain the pre-selected constant water temperature.
- Back to Back Capable:** Hot and cold can be reversed.
- Spring-Loaded Check Valves:** When the hot and cold water enters the fitting, both supplies pass through the spring-loaded check valves to prevent cross flow of hot and cold water.
- Integrated Stop Valves:** Ensure easy cleaning and servicing.
- Adjustable Hot Limit Safety Stop:** Limits the amount of hot water allowed to mix with cold. Reduces the risk of accidental scalding. Maximum water temperature limit may be reduced to 104 or 109 degrees Fahrenheit.

SUGGESTED SPECIFICATION:

Two handle Thermostat shall feature a cast brass valve body. Thermostat shall be a wax element shuttle valve. Shall also feature ceramic disc valving, 1/2" NPT or 3/4" NPT inlets and outlets. Fitting shall be American Standard Model # T064.740.____ (Trim Kit) and R520 or R540 (Rough Valve).