



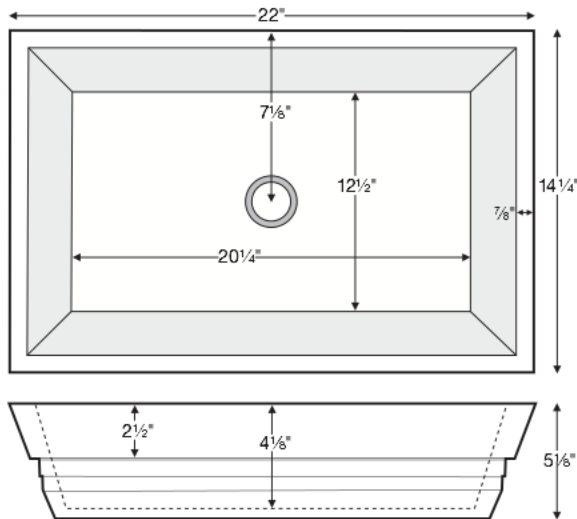
## Petra SR

Part # - MTCS-731

22" x 14.25" x 2.5"

**Installation:** vessel-style or semi-recessed

**Lead Time - 10 Business Days**



### PRICING AND OPTIONS

**Part # MTCS-731 \$823**

**STANDARD COLORS / FINISH** - White or Biscuit; matte finish

**OPTIONAL COLORS / FINISH** - White or Biscuit; gloss finish **Add \$169**

*Other colors available for projects only. Please call MTI.*

#### OPTIONS

**Quick Ship/Priority.** Call for availability.(QUISINKSH) **\$85**

### CONSTRUCTION AND STANDARD FEATURES

- Single-bowl design; 1.75" drain opening.
- Sink has no overflow. Requires vessel-style drain kit without overflow. Check local codes.
- Petra SR is a semi-recessed model, which allows only the top 2.5" of the sink to rest of the vanity.
- One-piece construction.
- Constructed using MTI's Engineered Solid Stone™ (ESS) material, which is a mixture of ground natural materials and binding agents that are liquefied, poured and then hardened.
- Approximately 60% of the material is organic, including minerals mined from the earth, making it "Green".
- Same material and color all the way through, with minor variations due to use of natural minerals.
- Durable, non-porous material is easy to clean.
- Stain, mold and mildew-resistant.
- 5-year Limited Residential Warranty.
- Shipping weight: 33 lbs.

**NOTES: SINK IS SEMI-RECESSED. SINK MUST BE MEASURED ON-SITE TO ENSURE ACCURATE DIMENSIONS OF HOLE CUT-OUT.**  
 Measurements are  $\pm 1/2"$  and are subject to change without notice. Data herein supersedes all previous prior to publication date indicated below.