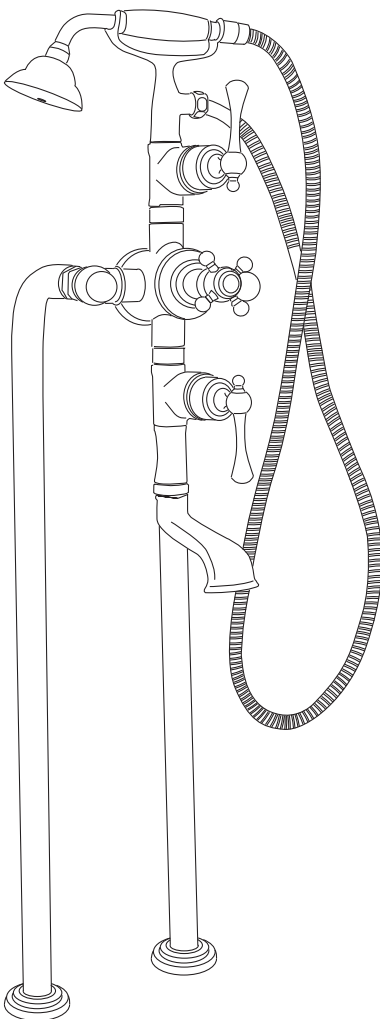


# EXPOSED THERMOSTATIC FLOOR MOUNT TUB SET WITH HAND SHOWER

## INSTALLATION INSTRUCTIONS

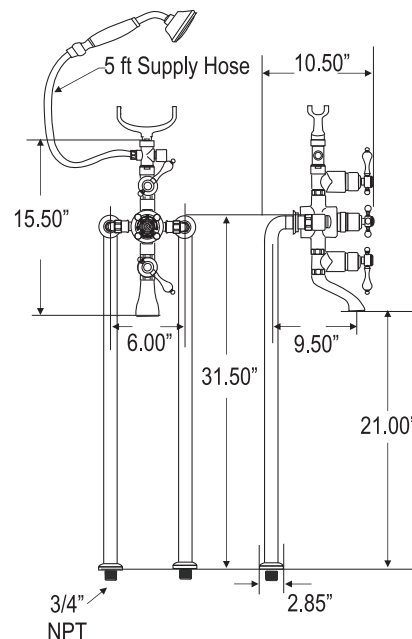
### DESCRIPTION

This product is precision engineered to provide satisfactory performance provided it is installed and operated in accordance with our recommendations contained in this manual. In order to fully enjoy the comfort, safety and reliability of your exposed thermostatic set, be certain to familiarize yourself with the contents of this manual.



### SPECIFICATIONS AND DIMENSIONS

Minimum operating pressure	20 psi
Maximum operating pressure	90 psi
Max hot water inlet temp.	140 °F
Hot and cold water inlets	3/4" NPT
Flow capacity	18 USGPM@ 60 psi

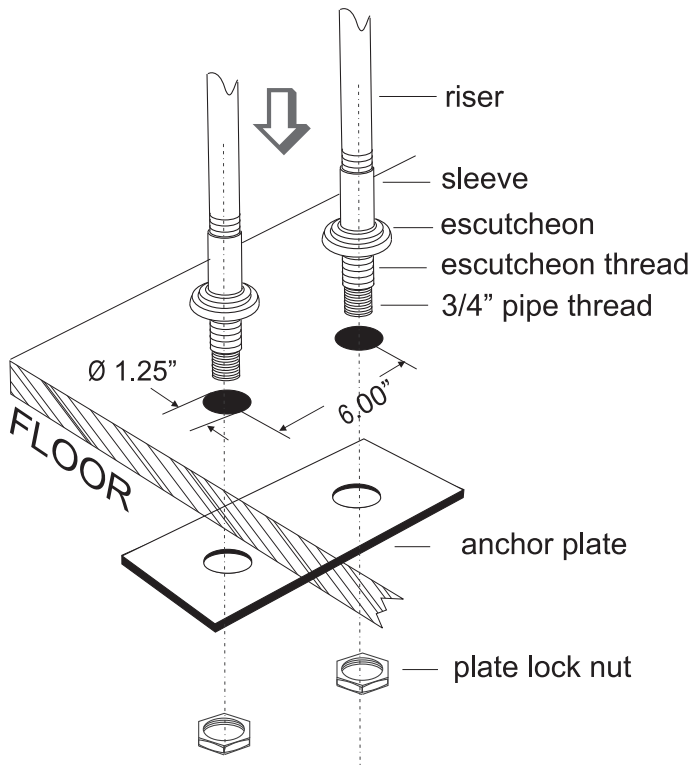


INSTALLATION

**NOTE: Failure to follow these instructions may cause damage or improper operations and nullify the warranty.**

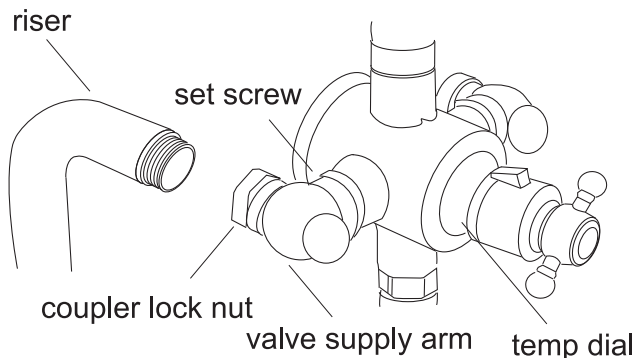
Flush the water lines thoroughly prior to valve installation to remove all debris, such as dirt, wood shavings, solder and/ or flux. Failure to flush lines can result in a damaged cartridge and void the warranty.

1- RISERS INSTALLATION



1. Drill 2 1-1/4" holes with the 6" center to center distance at a pre-designated location for the shower set.
2. Insert the riser with the escutcheon and sleeve through the hole.
  - ❖ If the anchor plate is to be installed on the top of the finished floor, insert the riser through the plate. The anchor plate can be installed either on the top or under the finished floor.
3. Adjust the riser's height by turning the escutcheon clock or counter-clockwise.
4. Make sure the riser is facing horizontally straight towards bath tub. From underneath of the floor, tighten the plate lock nut firmly. Repeat the same process for the other riser.
5. Connect the risers' inlets to the supply lines. Make sure the cold and hot supply lines are correctly installed.
  - ❖ If vacuum breaker is required. Please purchase part IW69 through your Altmans' distributor.

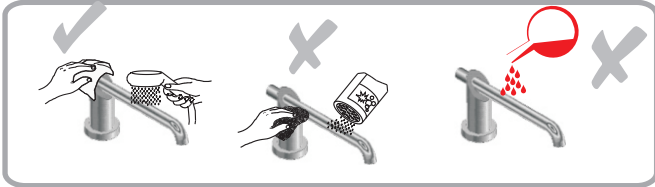
2. VALVE INSTALLATION



1. Apply Teflon tape to the riser's threaded outlet and connect it the valve's supply inlet. Tighten the coupler lock nut carefully.
  - ❖ **Over tightening of the coupler will void the warranty.**
2. If necessary, the valve supply arms' angles can be adjusted by loosening the set screw in each arm.
  - ❖ **Please make sure to re-tighten the set screws after the adjustments are done to the valve arms. Failure to re-tighten the set screw will void the warranty.**
3. Turn on the water supplies and check for any leakage at the joints. Check the water temperature to make sure it is the same as indicated in the temperature dial.

### 3- TRIM CARE

*It is very important to follow these instructions to keep Altmans products' finishes shining and in perfect condition:*



- 1. Only use a clean cloth and tap water for cleaning.*
- 2. Do not use any kind of abrasive products or fibers.*
- 3. Do not use any kind of chemical products to clean the finished surfaces.*

This valve is covered by a warranty for a period of one year from the date of purchase.

This valve will be repaired or replaced at the discretion of Altmans. This warranty covers product material and manufacturing defects.

The warranty does not cover incorrect installation, pressure and temperature exceeding specified limits, product abuse or foreign materials in the water.

This warranty also does not cover cost associated with installation or removal of the valve.