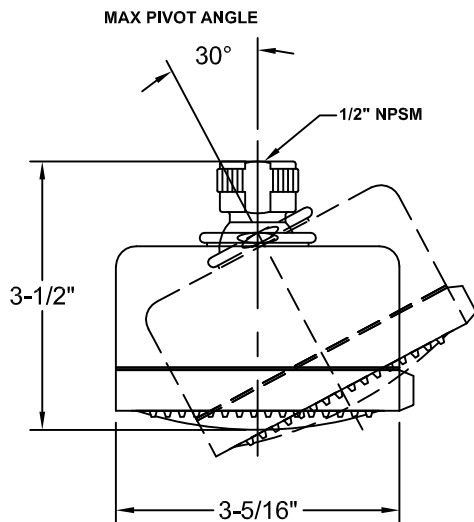


NOTES:

1. XX DENOTES FINISH
2. ALL DIMENSIONS ARE IN INCHES

MAX FLOW RATE  
2.5 GPM / 9.5 L/m



  
**California Faucets®**  
info@calfaucets.com  
www.calfaucets.com

<b>DESCRIPTION:</b> CONTEMPORARY MULTI-FUNCTION SHOWER HEAD	
<b>NEXT ASSEMBLY:</b> --	<b>USED ON:</b> --
<b>DRAWING NUMBER:</b> SH-08	

<b>STARTING DATE:</b> 09/13/05
<b>REVISION DATE:</b> 08/29/07
<b>APPROVED BY:</b> J.WOJTASZEK
<b>SCALE:</b> NONE
<b>DRAWN BY:</b> W. LINARES