

PARK AVE FRAMED MIRROR CABINET

GC2430-6-SC-PA

Side Mirror Kit - Order for Surface Mount, #SMK6-30; or Semi Recessed #SRMK2-30
 Beveled Mirror also available (add "BM" to model code)

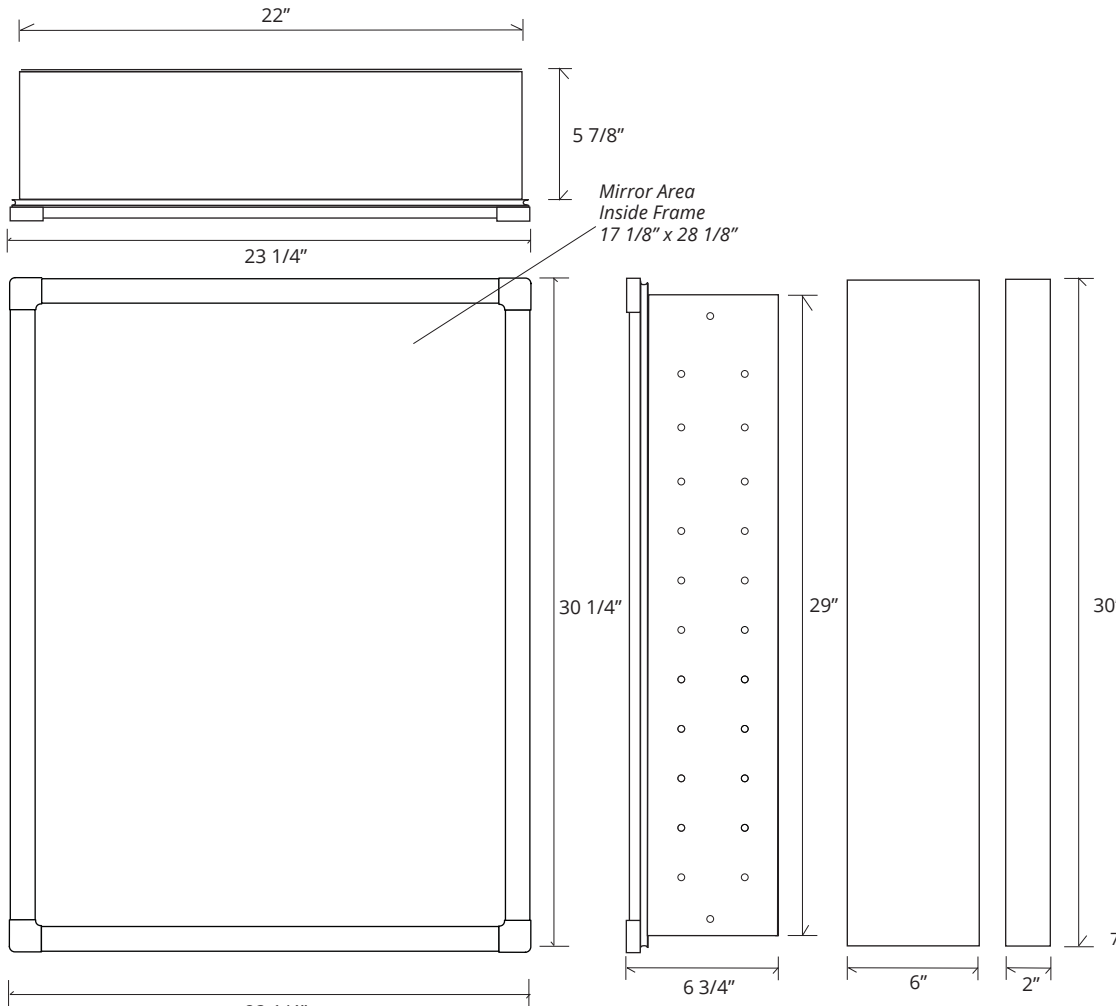
SPECIFICATIONS

Roughing-in Opening	22 3/8" x 29 3/8"
Overall Dimensions	23 1/4" x 30 1/4"



GLASSCRAFTERS INC.

Finishes: Polished Chrome, Polished Nickel, Brushed Nickel, Oil Rubbed Bronze



Side Mirror Kit
 SMK6-30
 Order for
 Surface Mount

Side Mirror Kit
 SRMK2-30
 Order for
 Semi-Recessed
 Mount



GLASSCRAFTERS, INC.
 193 Veterans Blvd. Carlstadt, NJ 07072
 1+ (800) 233-7362 (F) 1+ (888) 233-7362
 info@glasscraftersinc.com
Products That Reflect Your Style