

# Unity 32

Product code : **UN32**

Draft revision : **20130111084008**

External dimensions : **60" x 31,5" x 21,5" [152,4 cm x 80,0 cm x 54,6 cm]**

Series : **deck mount**

Seats : **1**

2012 catalog page : **30**

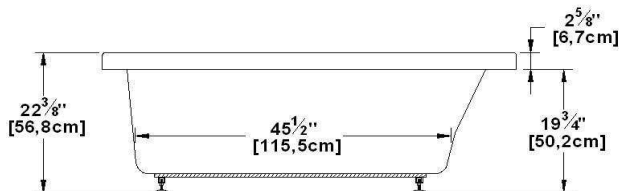
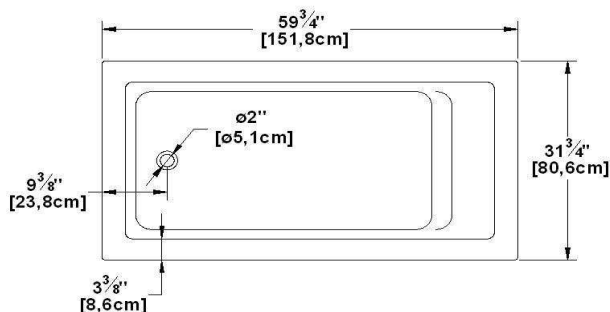
lumbar support : **yes**

Arm rests : **no**

Low-profile available : **yes**

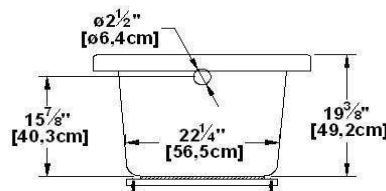
Also available in **FREESTAND**

## Draft and specs

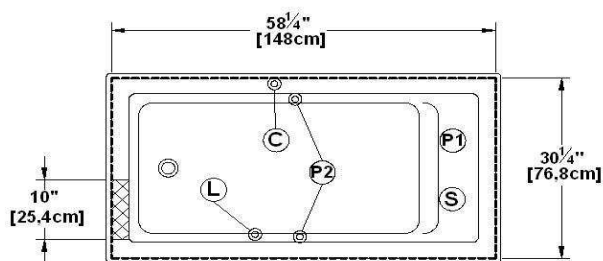


Specifications	
Capacity :	<b>50 IMP Gal. / 65,2 US Gal. / 227,3 liters</b>
AeroMassage™ :	<b>36 Easy Clean™ air jets</b>
Super AeroMassage™ :	<b>AeroMassage™ + 12 Easy Clean™ air jets</b>
Dynamic Turbo™ :	<b>4 Confort Pulse jets / 4 Confort Swirl jets</b>
Comfort Air™ :	<b>36 Easy Clean™ air jets</b>
Characteristics :	<b>n/a</b>

Remarks	
*all measures have a precision of ± 1/4" (0,63cm)	
*internal dimensions taken at 4" (10cm) from bath bottom	
*capacity is measured by filling the soaker to 1-1/2" under the overflow	
*textured skirt available on all Freestanding products	
*shelf height is 3/4" on all "low-profile" models	



## Options and installation



accessories and decorative lines positions are approximative

Additional(s) note(s) :

Keypad supplied but not installed when ordered with tile flanges or remote control.

Legend			
(S)	Blower	(L)	Chromatherapy light
(P1)	Pump	(P2)	Grab bar
(C)	Keypad	(X)	Recommended faucets drilling location*
Deck cut-out line - - - - -			

Available models	
Model	Availability
Soaker alone	✓
Comfort Air™	✓
AeroMassage™	✓
Super AeroMassage™	✓
Dynamic Turbo™ (not available in the U.S.)	✓
Dynamic Turbo™ + AeroMassage™	✓
Dynamic Turbo™ + Super AeroMassage™	✓

Available recommended options	
Front skirt :	SP60
Recommended drain :	WOCO14 (chrome finish)
tile flanges :	available
Floating controller :	available

\*It is possible that faucets may be installed elsewhere on the product. Verify, directly on the product, that there are no conflicting parts before drilling.

**IMPORTANT NOTE** : Specifications, dimensions and models are subject to change.

Visit our website <http://www.oceania-attitude.com> to access up-to-date dimensions and informations. In all cases, information on the website is the most up-to-date. Dimensions may vary slightly. To ensure proper fit, measurements must be taken on the product directly.

### Head office

591, avenue des Entreprises  
Thetford Mines, Quebec  
CANADA G6H 4B2

### Phone numbers

No-charge : 1-877-332-4224  
Fax : 1-866-460-4334

### Internet

Web : <http://www.oceania-attitude.com>  
Email : [info@oceaniabaths.com](mailto:info@oceaniabaths.com)