

NEWPORT KITCHEN

Features

- Solid brass construction
- Spring-loaded, normally closed toggle-style valve and handle
- Spout assembly with integral supply nipple
- 5-13/16" (14.8 cm) spout height at outlet
- 3-1/8" (7.9 cm) spout reach (c-c)
- 1.5 gallons (5.7 liters) per minute maximum flow rate
- For single hole configurations

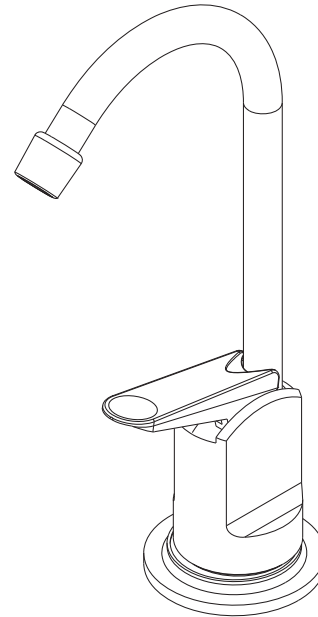
Codes / Standards Compliance

Meets or exceeds the following at date of manufacture:

- ASME A112.18.1/CSA B125.1
- IAPMO/cUPC
- IPC
- NSF 61
- Energy Policy Act of 1992
- All applicable US Federal and State material regulations

Cold Water Dispenser Faucet

105B



Colors / Finishes

- 10B: Oil Rubbed Bronze
- 15: Polished Nickel
- 15S: Satin Nickel
- 26: Polished Chrome
- Other: Refer to the Newport Brass catalog for additional color/finish options.

Specified Model

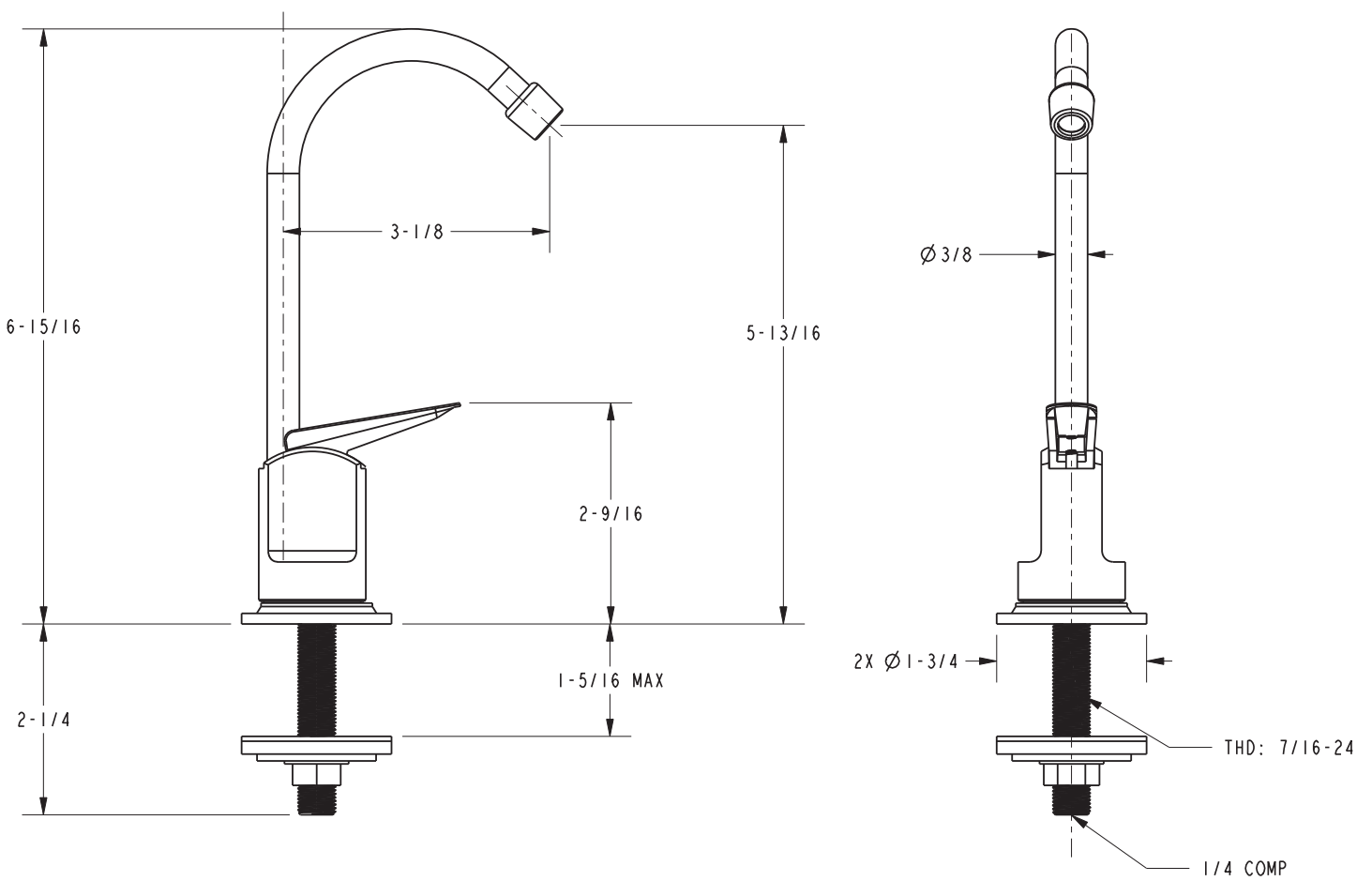
Model	Description	Colors / Finishes				
105B	Cold Water Dispenser Faucet	<input type="checkbox"/> 15	<input type="checkbox"/> 15S	<input type="checkbox"/> 26	<input type="checkbox"/> 10B	<input type="checkbox"/> Other

Product Specification:

Add "Color / Finish" suffix to Model number, below.

The Cold Water Dispenser Faucet shall be made of solid brass construction. Faucet shall incorporate a spout assembly with integral supply nipple and feature a spring-loaded, normally closed toggle-style valve and handle. Cold Water Dispenser Faucet shall have a 1.5 gallons (5.7 liters) per minute maximum flow rate and accommodate single hole configurations. Product shall incorporate a 5-13/16" (14.8 cm) spout height at outlet and a 3-1/8" (7.9 cm) spout reach (c-c). Cold Water Dispenser Faucet shall be Newport Brass Model 105B/_____. Cold Water Dispenser Faucet shall be Newport Brass Model 105B/_____.

Product Dimensions *(units are in inches)*



Newport Kitchen Cold Water Dispenser Faucet **105B**

NEWPORT BRASS[®]
Flawless Beauty. From Faucet to Finish.™