

**19" TELLY RECTANGULAR
STAINLESS STEEL PREP SINK**

Cat. No
PSSSB2088-SS



W: 19"
D: 20"
H: 10"

***Please do NOT cut hole without
template or actual product.**

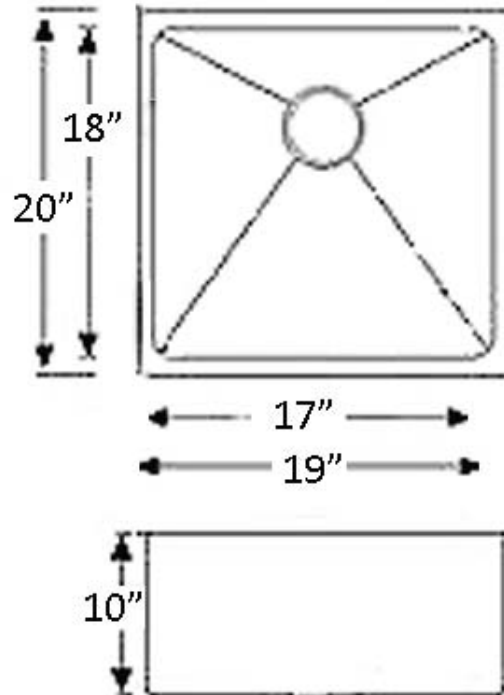
Interior Dimensions:

Basin Interior: 17" W x 18" D
Basin Depth: 9-1/2"

Features:

- ▶ Solid 16 gauge, 304 grade metal construction
- ▶ Single square bowl
- ▶ Matte finish
- ▶ Zero radius corners for easy cleaning
- ▶ Coated for sound insulation
- ▶ Mounting clips and template included
- ▶ Lip is 1-1/16" wide
- ▶ Drain is 3-1/2"
- ▶ Drain sold separately

Compliance Certification
Meets or exceeds the following
specifications: ASME
A112.19.3-2001 for Stainless Steel.



Dimensions of fixture are nominal and may vary within the range of tolerances established by ANSI Standard A112.19.2. Dimensions and specifications subject to change without notice.