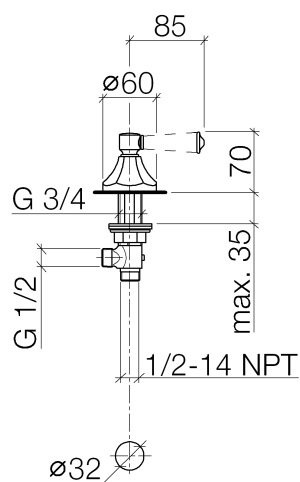




**Product specifications**

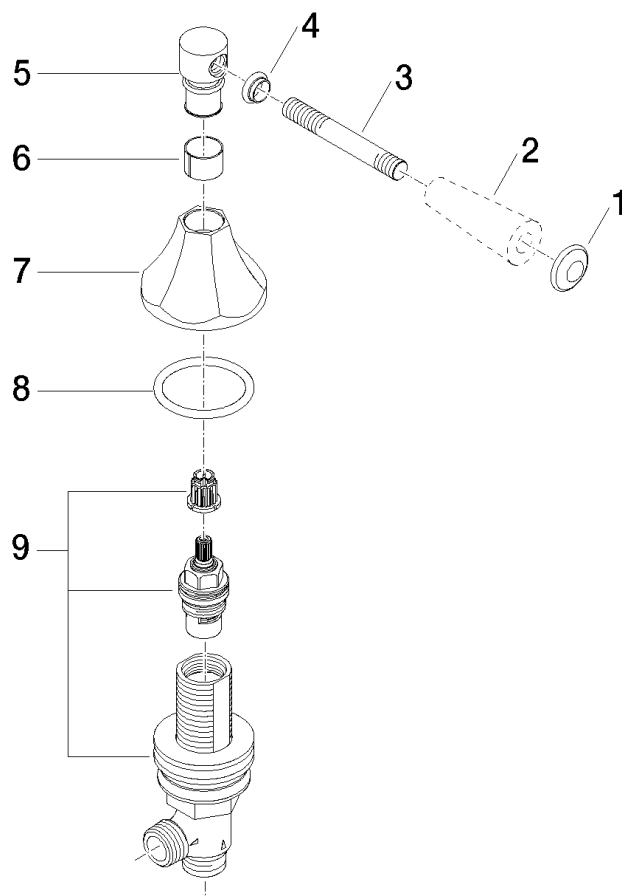
- 1/2" ceramic disc cartridge
- Flange diameter 2 3/8"
- Lever insert(s) to be ordered separately [ADA]



**Surfaces**

- chrome 20000370-00
- chrome 20000370-00
- matt platinum 20000370-06
- matt platinum 20000370-06
- platinum 20000370-08
- platinum 20000370-08
- brass 20000370-09
- brass 20000370-09

**Exploded assembly drawing**



**Order quantity**

<b>No.</b>	<b>Article number</b>	<b>Name</b>	<b>Installation quantity</b>
1	093030062ff	screw	1
2	11170370ff	handle	1
3	09282201390	pipe	1
4	092037001ff	handle	1
5	092082000ff	handle	1
6	09184004190	sleeve	1
7	092737005ff	rosette	1
8	09141004390	seal	1
9	9017110403190	side panel	1

