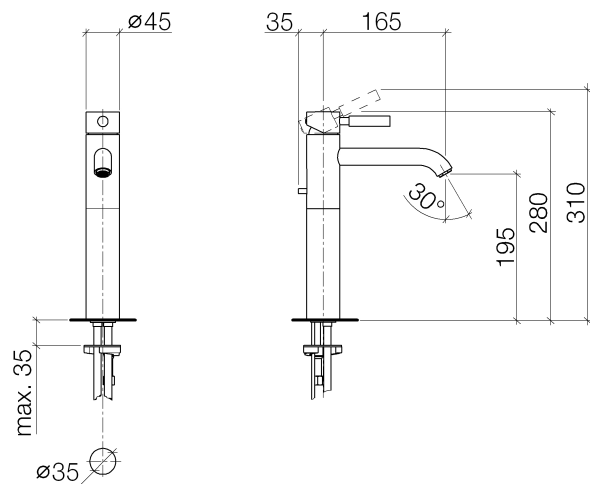




Product specifications

- **6 1/2" projection**
- M 18 x 1 aerator – male thread
- Total height 11"
- Height to aerator/spout outlet 7 5/8"
- Ceramic disc cartridge
- 2x M 10 x 1 screw-in high pressure hose (23 5/8")
- **US drain with overflow**
- Water flow rate limited to max. 1.5 gpm
- low lead compliant

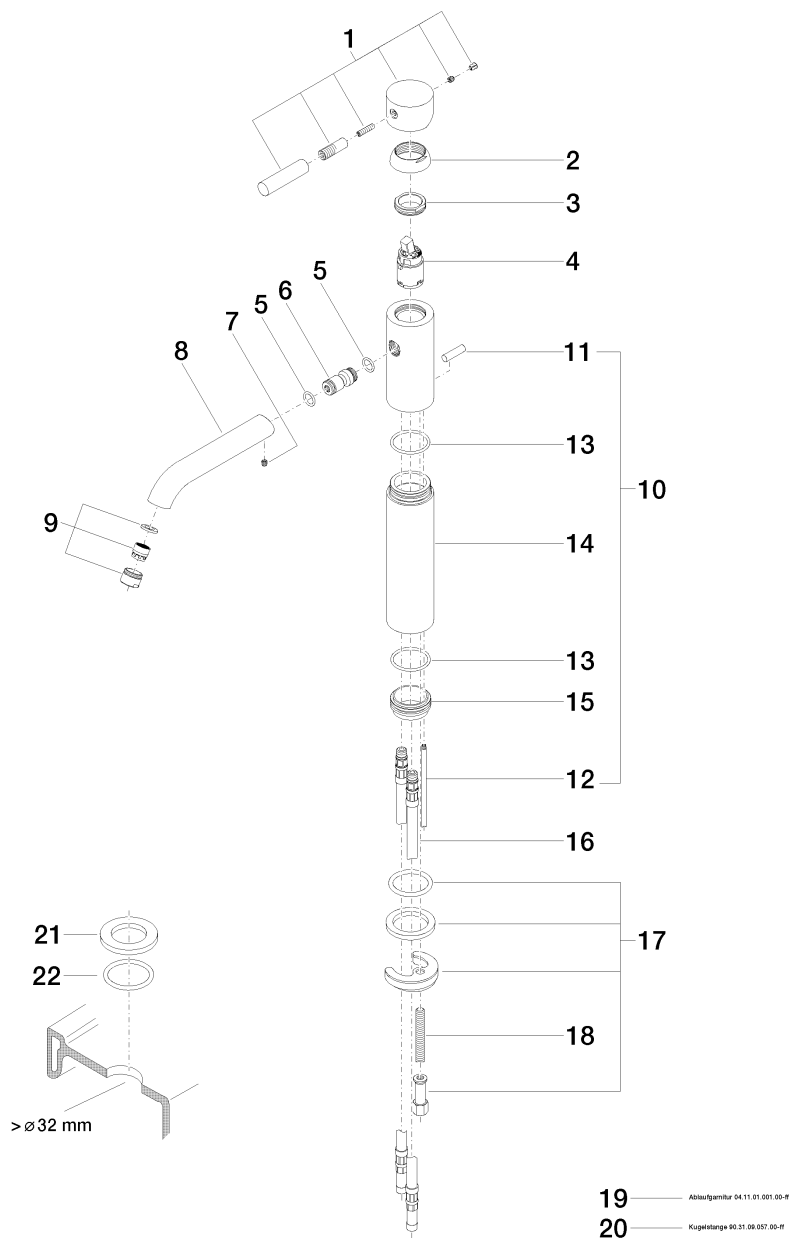
[ADA]



Surfaces

- | | |
|-----------------|-----------------|
| • chrome | 33538625-000010 |
| • chrome | 33538625-000010 |
| • matt platinum | 33538625-060010 |
| • matt platinum | 33538625-060010 |

Exploded assembly drawing



Order quantity

| No. | Article number | Name | Installation quantity |
|------------|-----------------------|--------------------|------------------------------|
| 1 | 90206204100ff | handle | 1 |
| 2 | 092830008ff | cover | 1 |
| 3 | 092404130-07 | nut | 1 |
| 4 | 09150504190 | cartridge | 1 |
| 5 | 09141000390 | seal | 2 |
| 6 | 0924040251090 | nipple | 1 |
| 7 | 09311103090 | pin | 1 |
| 8 | 09110608510ff | spout | 1 |
| 9 | 90230102202ff | aerator | 1 |
| 10 | 04206203085ff | pull-rod | 1 |
| 11 | 092062030ff | handle | 1 |
| 12 | 093109085ff | pull-rod | 1 |
| 13 | 09141011990 | seal | 2 |
| 14 | 092822006ff | pipe | 1 |
| 15 | 092810109-07 | ring | 1 |
| 16 | 0430040170090 | hose | 2 |
| 17 | 0430110856290 | fixing set | 1 |
| 18 | 09311109590 | pin | 1 |
| 19 | 04240422200ff | adaptor | 2 |
| 20 | 04233003101-07 | threaded connector | 2 |
| 21 | 09240422210ff | adaptor | 2 |
| 22 | 04110102300ff | pop-up waste | 1 |
| 23 | 90310905700ff | bar | 1 |
| 24 | 092762001ff | rosette | 1 |
| 25 | 09141004390 | seal | 1 |

