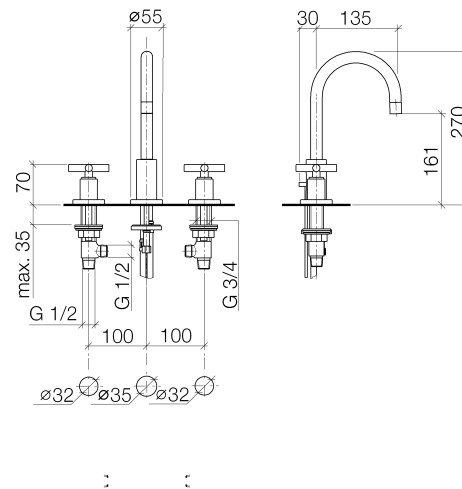




**Product specifications**

- **5 3/8" projection**
- Swivel spout 360°
- M 18 x 1 aerator – female thread
- Total height 10 5/8"
- Height to aerator/spout outlet 6 3/8"
- Deck valves with 2x xControl ceramic disc cartridges 1/2"
- Compression connectors
- US drain with overflow
- Water flow rate limited to max. 1.5 gpm
- low lead compliant
- Flanges, diameter 2 1/8"

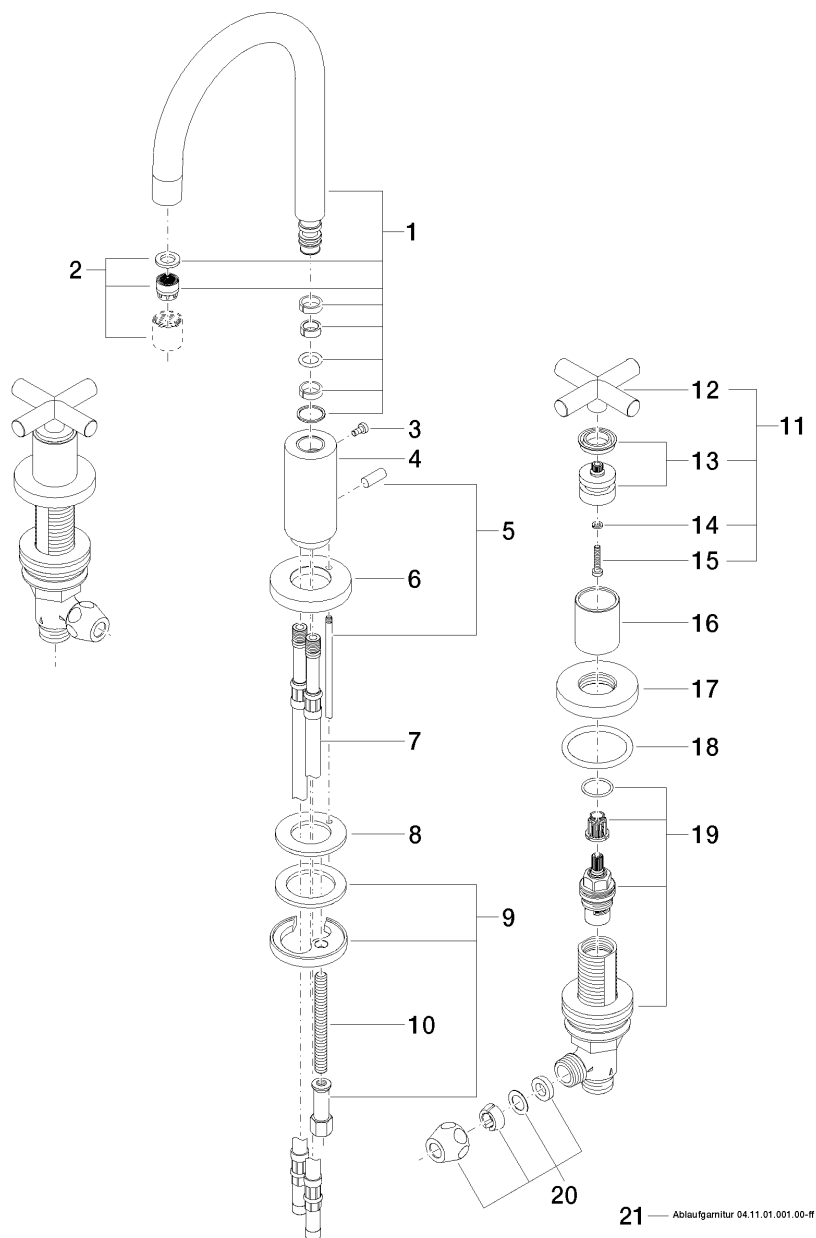
For narrow pedestals or trap covers, please order pressure hoses 12 507 970 90.



### Surfaces

- chrome 20710892-000010
- chrome 20710892-000010
- matt platinum 20710892-060010
- matt platinum 20710892-060010
- platinum 20710892-080010
- platinum 20710892-080010
- matt white 20710892-100010
- matt white 20710892-100010
- matt black 20710892-330010
- matt black 20710892-330010

**Exploded assembly drawing**



**Order quantity**

<b>No.</b>	<b>Article number</b>	<b>Name</b>	<b>Installation quantity</b>
1	90282221702ff	spout	1
2	90230102800ff	aerator	1
3	09303005790	screw	1
4	09111008710ff	connection	1
5	04208903080ff	pull-rod	1
6	092810133ff	ring	1
7	0430040640090	hose	2
8	09140504790	seal	1
9	0430110380090	fixing set	1
10	09311101190	pin	1
11	04208901000ff	handle	2
12	092089010ff	handle	2
13	90121200700ff	base	2
14	09301102990	disc	2
15	09303007590	screw	2
16	092102140ff	sleeve	2
17	092789105ff	rosette	2
18	09141004390	seal	2
19	9017110405190	side panel	2
20	04233004000ff	threaded connector	2
21	04110102300ff	pop-up waste	1

