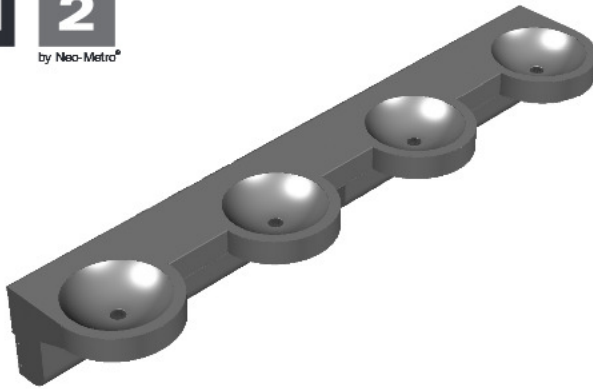


# Curved Front Washbasin

system



by Neo-Metro®



**Model Shown: 8980-4-RL**

Four Station Curved Front Washbasin with Integral Round Bowl

- **Curved Front Design Wash Basin**
  - **Heavy Duty Stainless Steel Construction**
  - **Available in 1, 2, 3 or 4 Station Configuration**
  - **Available with -BKS Backsplash**
  - **Available with -IS Integral Shelf Under Counter Sensor Operated Spout are aligned over each station**
  - **Available with an Integral Round or D-Shaped Bowl Satin Finish (Standard) or Mira (High Polish)**
  - **Available with J-Spout or L-Spout Not applicable with IS Deck Style**
  - **Pressure Balance Mixing Valve Included Unless -9 Option is selected where Customer will provide own Valves/Faucets.**
  - **P-Trap(s) Included One Waste Connection for up to 3 Basins**
- ADA, ANSI, ASA, CSA, UFAS Compliant**

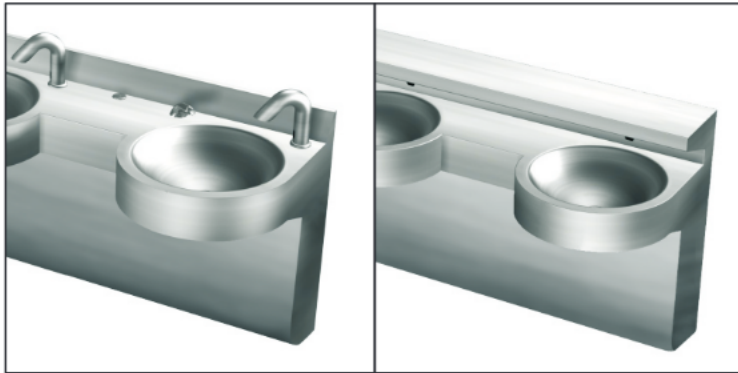


Neo-Metro is a Member of U.S. Green Building Council



	DESCRIPTION	MODEL/OPTION #
<b>A DECK TYPE</b> - Required Selections	<input type="checkbox"/> <b>One Station</b> Length: 19" (483 mm)	8980-1
	<input type="checkbox"/> <b>Two Station</b> Length: 49" (1,245 mm)	8980-2
	<input type="checkbox"/> <b>Three Station</b> Length: 79" (2,007 mm)	8980-3
	<input type="checkbox"/> <b>Four Station</b> Length: 109" (2,769 mm)	8980-4
<input type="checkbox"/> <b>Standard Deck</b>		
<input type="checkbox"/> <b>Backsplash</b> 3 inch 60° Backsplash Runs the Length of Fixture		- BKS
<input type="checkbox"/> <b>Integral Shelf w/Spout</b> Convenient Shelf Runs Length of Fixture; Built-in Sensor Operated (Plug-in Power Supply) Spout over each Bowl [Formerly Model 8982]		- IS
<b>B BOWL SHAPE/FINISH</b> - Required Selection	<input type="checkbox"/> <b>Integral Round Bowl</b>	
	<input type="checkbox"/> <b>Satin</b> (Standard)	-RL
	<input type="checkbox"/> <b>Mira</b> (High Polish)	-RL-HP
<input type="checkbox"/> <b>Integral D Bowl</b>		
<input type="checkbox"/> <b>Satin</b> (Standard)	-RLD	
<input type="checkbox"/> <b>Mira</b> (High Polish)	-RLD-HP	
<input type="checkbox"/> <b>Overflow Outlet</b> Each Bowl will be Configured with a Overflow Waste Outlet		-OF

# Curved Front Washbasin



**Model Shown:**  
**8980-...-BKS-RL-DMJ-SO-PDM**  
 Curved Front Washbasin with Backsplash, Integral Round Bowls, Sensor Operated Deck Mounted J-Spouts, and Metering Liquid Soap System (Satin Dispensers)

**Model Shown:**  
**8980-...-IS-RL**  
 Curved Front Washbasin with Integral Shelf (with sensor operated under shelf spout), and Integral Round Bowls.

system

M

2

by Neo-Metro®

**Space Saving**

**Lower Installation Cost**

**Lower Maintenance & Operation Cost**

**Saves Water**

**ADA Compliant**



	DESCRIPTION	MODEL/OPTION #
<b>Add(+)</b>	<b>C VALVE/FAUCETS</b> - Required Selection <span style="float: right;">INIT. _____</span>	
	 	<p><b>Deck Mounted J-Spout</b></p> <p><input type="checkbox"/> <b>Hand Operated</b> -DMJ-H</p> <p><input type="checkbox"/> <b>Sensor Operated</b> -DMJ-SO                      Plug-in Power Supply</p>
<b>Add(+)</b>	 	<p><b>Deck Mounted L-Spout</b></p> <p><input type="checkbox"/> <b>Hand Operated</b> -DMJ-H</p> <p><input type="checkbox"/> <b>Sensor Operated</b> -DML-SO                      Plug-in Power Supply</p>
	<p><input type="checkbox"/> <b>Punching for Valve</b> -9                      Customer will provide own faucet/valves. Neo-Metro will provide hole punching to accommodate Customer's faucet.  <b>Please provide Neo-Metro with faucet's specification drawings.</b>                      (All hole punchings will be the same diameter)</p>	

**VALVE/FAUCET FOR - IS STYLE DECKS**  
 Built-in sensor operated (Plug-in Power Supply) spout over each bowl are included (do not need to specify).

	DESCRIPTION	MODEL/OPTION #
<b>Add(+)</b>	<b>D OTHER OPTIONS</b> <span style="float: right;">INIT. _____</span>	
		<p><b>Extended Countertop</b>                      Please specify length in the blanks after -ECL-ECR. (Maximum 118" or 2,997mm)</p> <p><input type="checkbox"/> <b>Left Side</b> -ECL _____</p> <p><input type="checkbox"/> <b>Right Side</b> -ECR _____</p>
<b>Add(+)</b>		<p><input type="checkbox"/> <b>Electric Water Heater</b> -HTR                      Electric Instant Water Heater                      (1 or 2 Station - 1 Heater                      3 or 4 Station - 2 Heaters)</p>
		<p><b>Metering Liquid Soap System</b>                      includes Dispenser and Refilling System.                      Note: May Alter Size of Trap Enclosure.                      Please contact Neo-Metro for Liquid Soap Recommendations.</p> <p><input type="checkbox"/> <b>Satin (Standard) Dispenser</b> -PDM</p> <p><input type="checkbox"/> <b>Mira (High Polish) Dispenser</b> -PDM-HP</p>

# Curved Front Washbasin

## How to Assemble a System M2 Model Number 8980

DECK TYPE <b>A</b>	BOWL TYPE <b>B</b>	VALVE/FAUCET <b>C</b>	OTHER OPTIONS <b>D</b>
<b>8980 -</b> <b>Number of Stations</b> - 1 (One-Station) - 2 (Two-Station) - 3 (Three-Station) - 4 (Four-Station) - BKS (Backsplash) - JS (Integral Shelf) Skip if not ordering either	<b>Bowl Style/Finish</b> - RL (Satin Round Bowl) - RL-HP (Mira High Polish Round Bowl) - RLD (Satin D-Bowl) - RLD-HP (Mira High Polish D-Bowl)	<b>Valve/Faucet</b> - DMJ-H (J-Spout Hand Operation) - DMJ-SO (J-Spout Sensor Operation) - DML-H (L-Spout Hand Operation) - DML-SO (L-Spout Sensor Operation) - 9 (Punching Only - Customer Provides Faucet/Valves)	<b>Extended Counter Top</b> - ECL (-Left Side) - ECR (-Right Side) Skip if not ordering <b>Electric Instant Heater</b> - HTR Skip if not ordering <b>Metering Liquid Soap System</b> - PDM (Satin Dispenser) - PDM-HP (Mira High Polish Dispenser) Skip if not ordering
<b>2</b> Two Station Standard Style Deck	<b>RL</b> Satin Round Bowl	<b>DML-H</b> L-Spout Hand Operation	<b>HTR</b> Electric Instant Heater Soap Dispenser (NONE)

Example:

**8980 - 2 - RL - OF - DML-H - HTR**  
 Two Station      Satin Round Bowl      Overflow      L-Spout Hand Operation      Electric Instant Heater

Now it's your turn! Please fill in blanks provided on the top line to assemble the model number corresponding to the features you want on your System M2 Model 8980.

**Orders will not be processed until specification sheets including faucet drilling worksheets are complete and signed.**  
**NO CANCELLATIONS.**

COMPANY: \_\_\_\_\_  
 PROJECT NAME: \_\_\_\_\_  
 SIGNEE'S NAME WRITTEN CLEARLY: \_\_\_\_\_ DATE: \_\_\_\_\_  
 AUTHORIZED SIGNATURE: \_\_\_\_\_

# Curved Front Washbasin

**System M2 Stainless Steel Basins** are engineered to combine design and durability.

**Model 8980 Series Washbasins have curved fronts** and are available in one, two, three or four station units. These units offer the look and feel of commercial-grade designer basins and counter tops.

These units are fabricated of heavy-gage, type 304 satin finish stainless steel. Corners are fully welded and seamless. The units include a full length trap enclosure to conceal hot and cold mixing valve assembly and P-trap(s).

Hardware is supplied to secure the fixture to the wall.

Each standard height washbasin complies with ANSI, UFAS and ADA requirements. Please check you your local plumbing codes.

**-BKS Backsplash** option features a 3" (76 mm) 60" back splash extending the entire length of the unit.

**-IS Integral Shelf** option features a shelf a 6" (152 mm) high x 9" (229 mm) shelf running the full length of the unit. An under shelf sensor operated spout is provided for each wash station. The sensors require a plug-in power supply.

**Integral Bowls** are offered with either Round or D-Shaped styles. Satin or Mira (high polish) finishes are also available with either styles.

**Pressure Balancing Mixing Valve** delivers a constant water temperature. Valve is provided with a variable temperature limit stop that is factory preset at 105° Fahrenheit and includes checkstop and strainer assemblies. Operation range is 30-100 PSI. (Not Included with unit when valving is by others)

**-H Hand Operation** includes a pressure mixing valve with deck mounted metering Air-Control pushbuttons and deck mounted stainless steel tubular spouts (J-Spout or L-Spout) with a 0.5 GPM flow control.

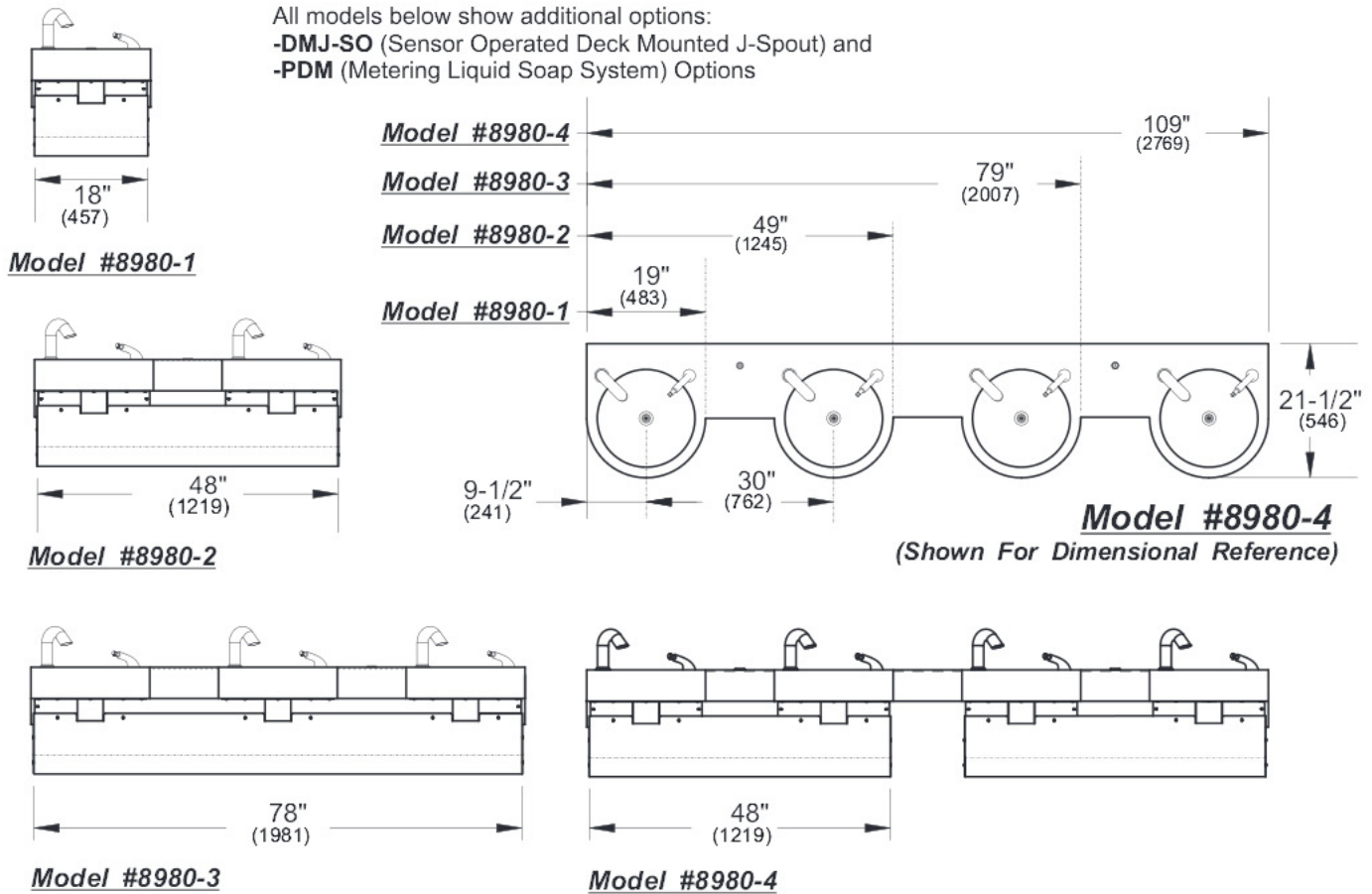
**-SO Sensor Operation** includes individual solenoid valves activated by infrared sensors with a pressure balancing mixing valve and deck mounted stainless steel tubular spouts (J-Spout or L-Spout) with a 0.5 GPM flow control. The sensors require a plug-in power supply.

**-PDM Pump Type Soap Dispenser** (Option) is available for liquid and lotion type soaps. Dispensers are deck mounted with an under-the-counter reservoir and top refill feature for ease of maintenance. The dispenser is available in a Satin or Mira High Polish finish.

**-HTR Electric Instant Water Heater** (Option) is available and is designed to fit in trap cover. (Additional specifications needed)

All models below show additional options:

- DMJ-SO (Sensor Operated Deck Mounted J-Spout) and
- PDM (Metering Liquid Soap System) Options

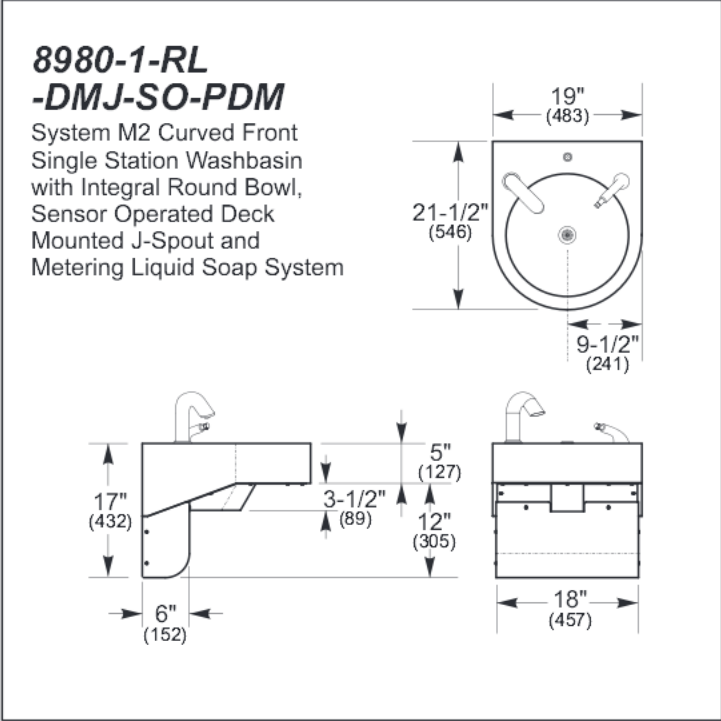


Neo-Metro assumes no responsibility for use of void or suspended data. All dimensions are nominal and subject to manufacturer change without notice.

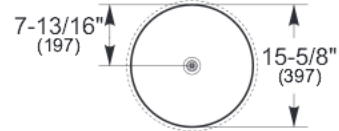
**INSTALLATION INSTRUCTIONS ARE AVAILABLE**

# Curved Front Washbasin

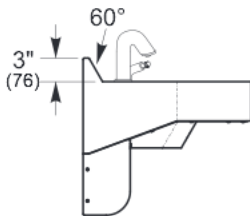
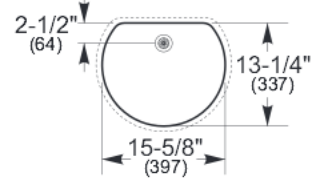
**TYPICAL FOR Models 8980-2, 8980-3, 8980-4**  
 Two Station      Three Station      Four Station



**-RL Integral Round Bowl**

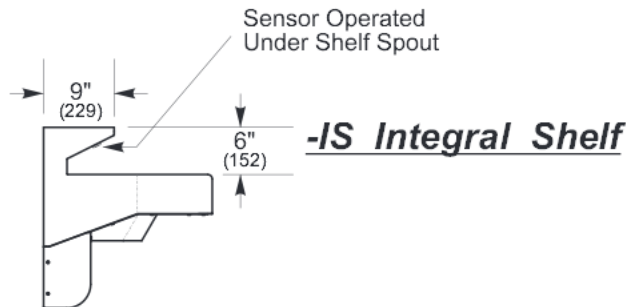


**-RLD Integral D Shaped Bowl**



**-BKS Backsplash**

Also shown with -DMJ-SO (Sensor Operated Deck Mounted J-Spout) and -PDM (Metering Liquid Soap System) Options



Neo-Metro assumes no responsibility for use of void or suspended data. All dimensions are nominal and subject to manufacturer change without notice.

**INSTALLATION INSTRUCTIONS ARE AVAILABLE**