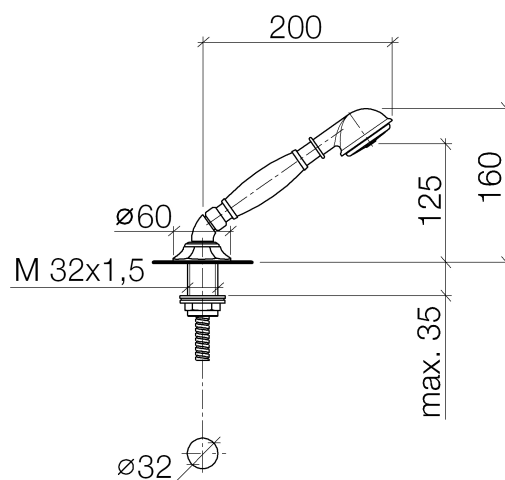




Product specifications

- Hand shower with back flow preventer
- Metal shower hose 88 5/8", consisting of 1 pc. 19 5/8" chrome plated metal hose and 1 pc. 68 7/8" flex line
- Flange diameter 2 3/8"
- 35° x 1/2" x 1/2" angle
- Shower hose guide
- Water flow rate limited to max. 2.38 gpm
(Two part hose design allows for servicing of finished hose from deck surface)

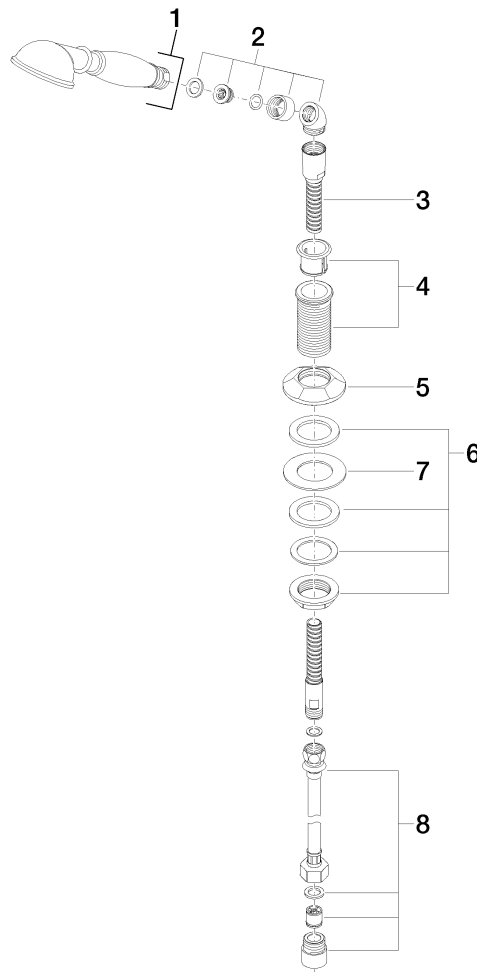




Surfaces

- chrome 27703370-00
- chrome 27703370-00
- matt platinum 27703370-06
- matt platinum 27703370-06
- platinum 27703370-08
- platinum 27703370-08
- brass 27703370-09
- brass 27703370-09

Exploded assembly drawing



Order quantity

| No. | Article number | Name | Installation quantity |
|------------|-----------------------|-------------|------------------------------|
| 1 | 28002970ff | shower | 1 |
| 2 | 28411970ff | angle | 1 |
| 3 | 28322970ff | hose | 1 |
| 4 | 04240401800ff | sleeve | 1 |
| 5 | 092737013ff | rosette | 1 |
| 6 | 0423100090090 | fixing set | 1 |
| 7 | 09301106090 | disc | 1 |
| 8 | 1250597090 | hose | 1 |

