



Type P (pressure balance) tub/shower with diverter  
**GN58XX**



## Specifications

### Composition

- GN55C - Type P (pressure balance) complete valve with diverter
- 6006C - Hand shower rail
- 747C - Elbow supply
- 880C - Wall tub spout

### Available colors

- C : Chrome
- CW : Chrome/White
- BN : Brushed nickel (PVD)
- PN : Polished nickel (PVD)

### Certifications

- CSA B125.1
- ASME A112.18.1

## Warranty

The Riobel inc. product carries a limited LIFETIME warranty on the finish Chrome, Gold (PVD), Brushed nickel (PVD), Night brushed (PVD), Polished nickel (PVD) and all working parts and is guaranteed from the initial date of purchase against all manufacturing defects. Other finished 1 year.

## Customer Service

Ontario, West Canada : 888-287-5354 Quebec, Maritimes, United States : 866-473-8442



Type P (pressure balance) complete valve with diverter  
**GN55XX**



# Specifications

## Descriptions

- 1/2" inlet male NPT or sweat
- Service stops
- Diverter
- Ceramic cartridge and balancing spool with check valves
- Double action: flow and temperature control

## Available colors

- C : Chrome
- CW : Chrome/White
- BN : Brushed nickel (PVD)
- PN : Polished nickel (PVD)

## Available flows

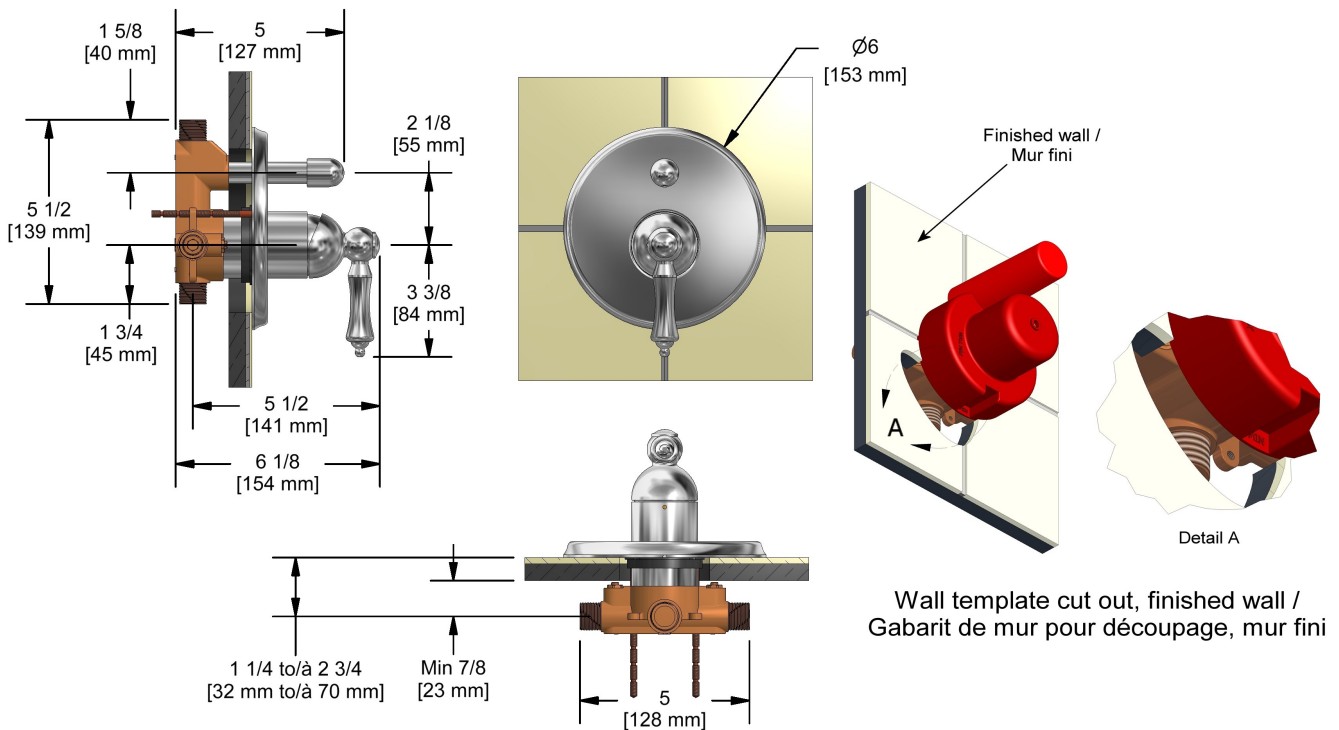
- 22 L/min, 5.8 gpm (US) 60psi

## Cartridges

- 401-016 - 405-010

## Certifications

- CSA B125.1
- ASME A112.18.1
- ASSE 1016



Sizes, models and finishes may differ from those presented.

## Warranty

The Riobel inc. product carries a limited LIFETIME warranty on the finish Chrome, Gold (PVD), Brushed nickel (PVD), Night brushed (PVD), Polished nickel (PVD) and all working parts and is guaranteed from the initial date of purchase against all manufacturing defects. Other finished 1 year.

## Customer Service

Ontario, West Canada : 888-287-5354 Quebec, Maritimes, United States : 866-473-8442



Hand shower rail  
**6006XX**



# Specifications

## Descriptions

- 150 cm (59") double interlock flexible hose, swivel and integrated vaccum breaker
- Ø25 mm (1") slide bar
- Scale-free
- 06, 3-jet hand shower

## Available colors

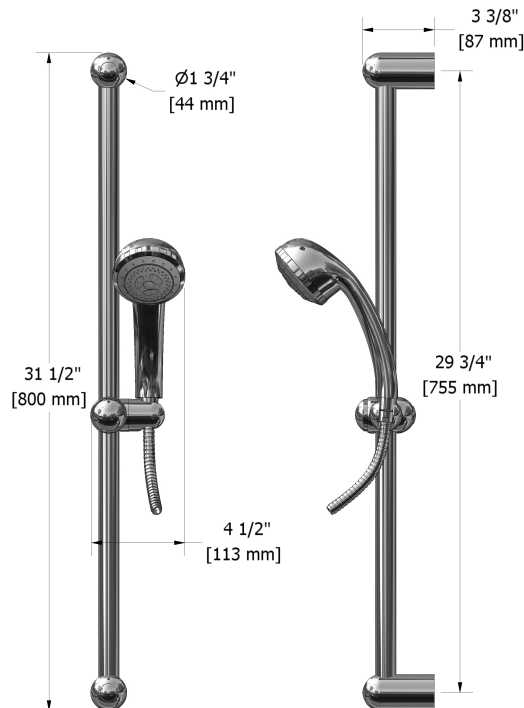
- C : Chrome
- BN : Brushed nickel (PVD)
- PN : Polished nickel (PVD)

## Available flows

- 9.5 L/min, 2.5 gpm (US) 60psi
- 5.69 L/min, 1.5 gpm (US) 60psi ( **6006XX-15** )

## Certifications

- CSA B125.1
- ASME A112.18.1
- CMR248 Approval



Sizes, models and finishes may differ from thoses presented.

## Warranty

The Riobel inc. product carries a limited LIFETIME warranty on the finish Chrome, Gold (PVD), Brushed nickel (PVD), Night brushed (PVD), Polished nickel (PVD) and all working parts and is guaranteed from the initial date of purchase against all manufacturing defects. Other finished 1 year.

## Customer Service

Ontario, West Canada : 888-287-5354 Quebec, Maritimes, United States : 866-473-8442



Elbow supply  
747XX

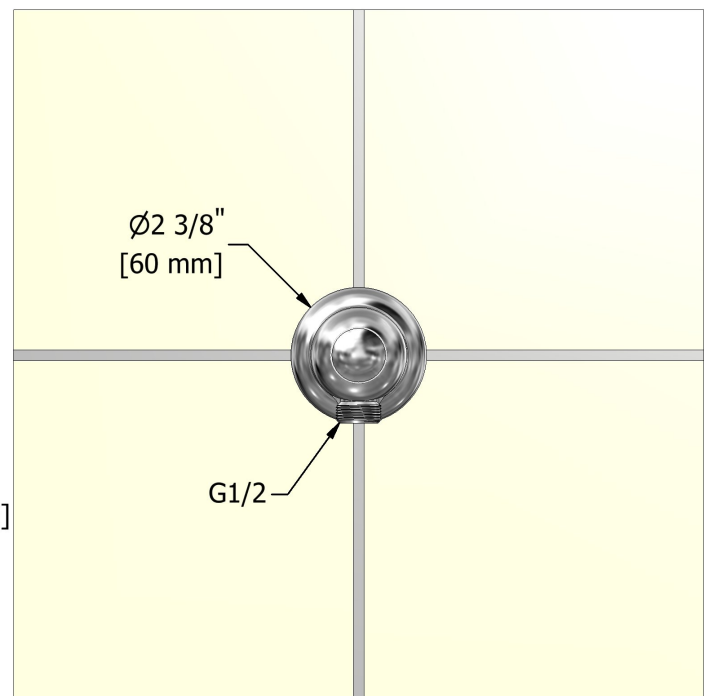
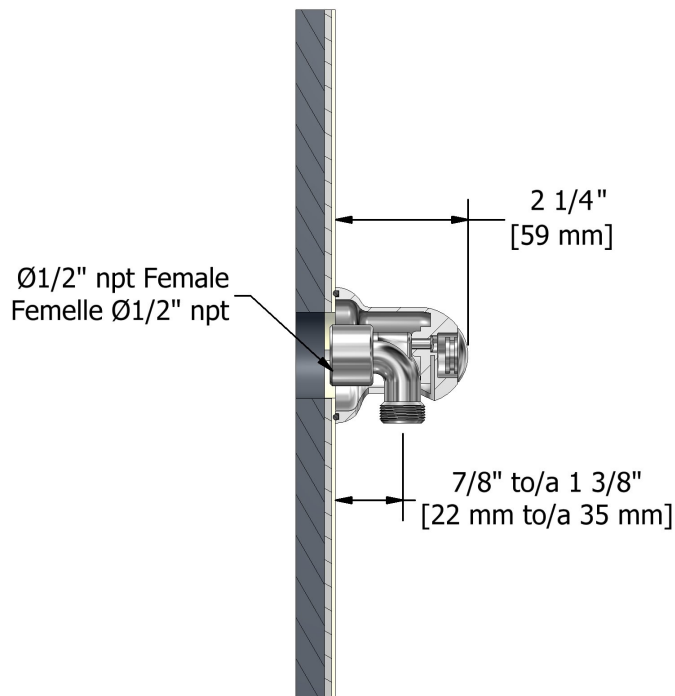
## Specifications

### Descriptions

- 1/2" inlet female NPT
- 1/2" outlet male
- Adjustable depth

### Available colors

- C : Chrome
- BN : Brushed nickel (PVD)
- PN : Polished nickel (PVD)



Sizes, models and finishes may differ from thoses presented.

### Warranty

The Riobel inc. product carries a limited LIFETIME warranty on the finish Chrome, Gold (PVD), Brushed nickel (PVD), Night brushed (PVD), Polished nickel (PVD) and all working parts and is guaranteed from the initial date of purchase against all manufacturing defects. Other finished 1 year.

### Customer Service

Ontario, West Canada : 888-287-5354 Quebec, Maritimes, United States : 866-473-8442

2014.05.01



Wall tub spout  
880XX



## Specifications

### Descriptions

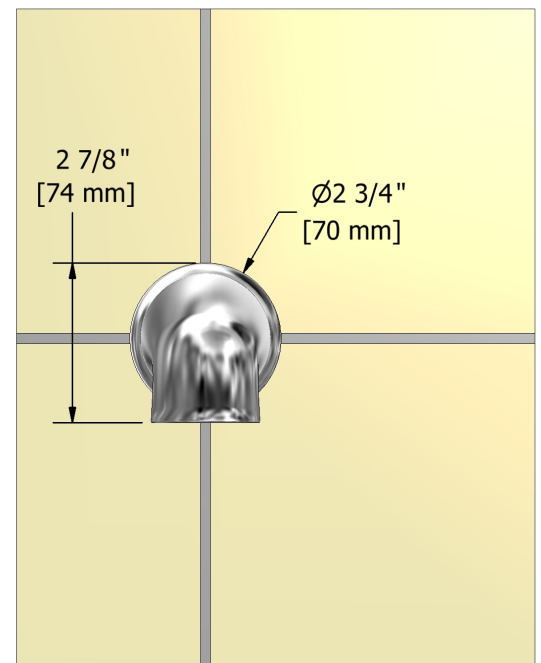
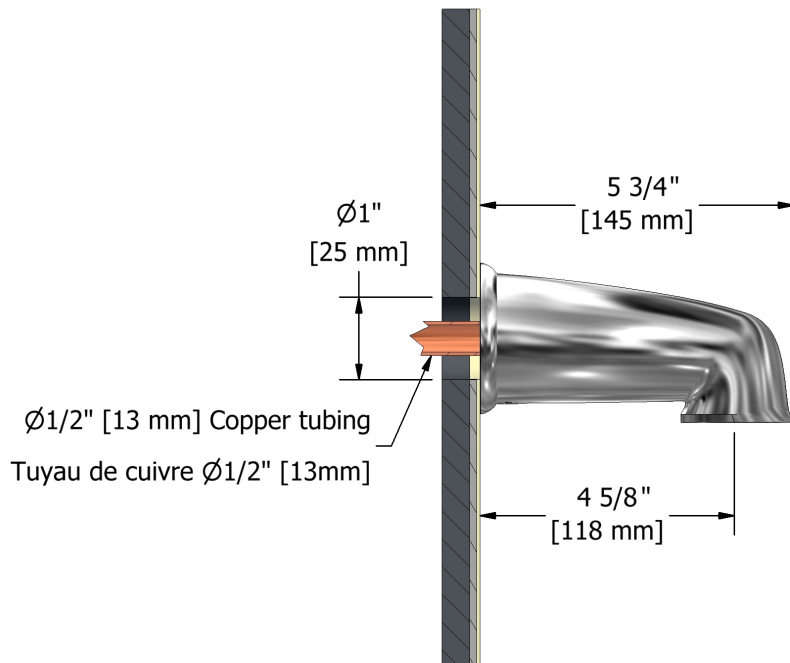
- 1/2" copper slip fit inlet

### Available colors

- C : Chrome
- BN : Brushed nickel (PVD)
- PN : Polished nickel (PVD)

### Certifications

- CSA B125.1
- ASME A112.18.1
- CMR248 Approval



Sizes, models and finishes may differ from those presented.

### Warranty

The Riobel inc. product carries a limited LIFETIME warranty on the finish Chrome, Gold (PVD), Brushed nickel (PVD), Night brushed (PVD), Polished nickel (PVD) and all working parts and is guaranteed from the initial date of purchase against all manufacturing defects. Other finished 1 year.

### Customer Service

Ontario, West Canada : 888-287-5354 Quebec, Maritimes, United States : 866-473-8442

2014.05.01