



# LEFROY BROOKS

1 8 2 8 T R O U T M A N S T R E E T  
R I D G E W O O D N E W Y O R K N Y 1 1 3 8 5 U S A  
T : + 1 ( 7 1 8 ) 3 0 2 5 2 9 2 F : + 1 ( 7 1 8 ) 3 0 2 4 1 7 7

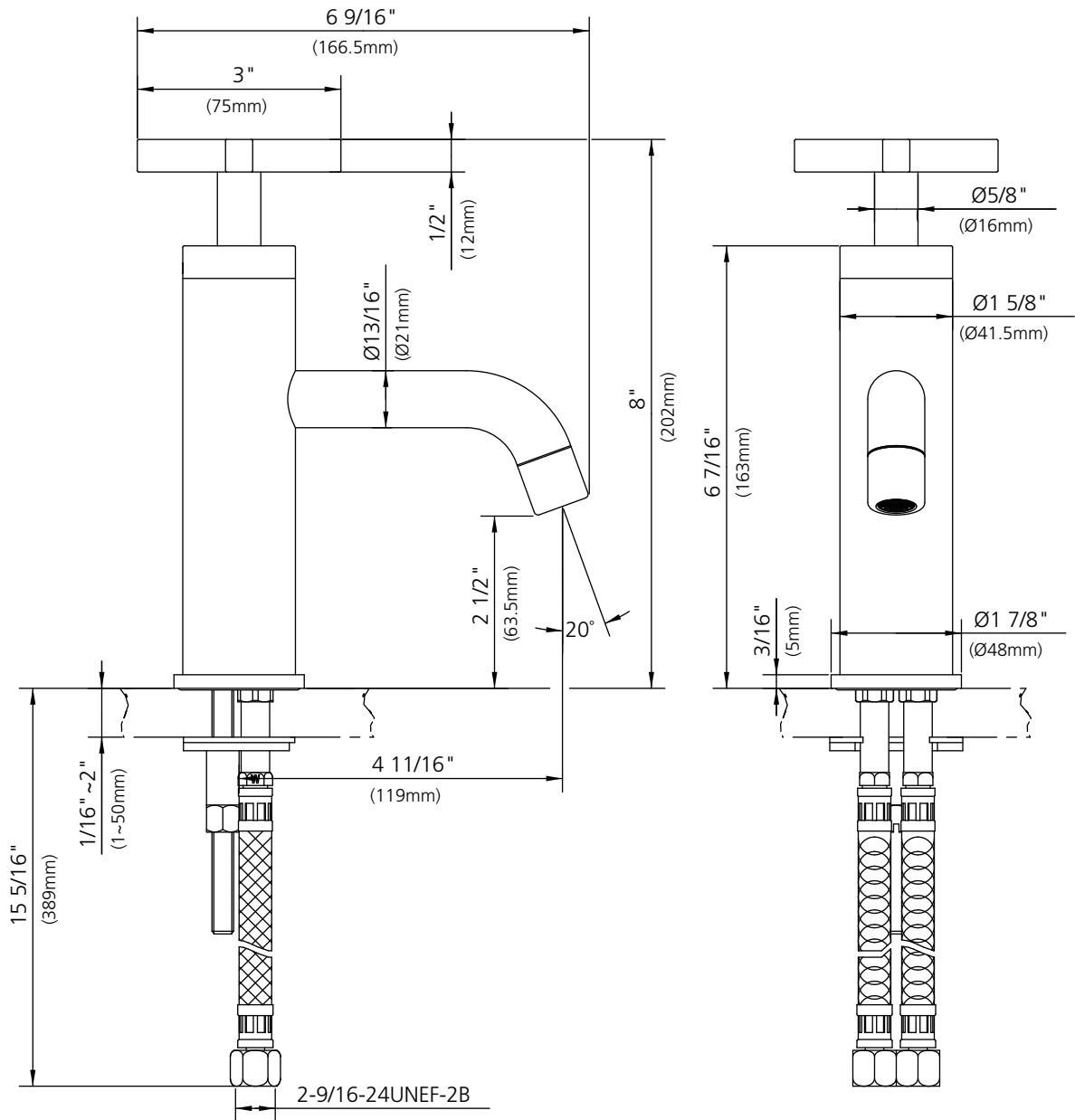
## K1-1200

CROSS HANDLE MONOBASIN, NO P.U.W.

### DIMENSIONAL DATA SHEET

DATE: 1 July 2009

No: FS1AC001



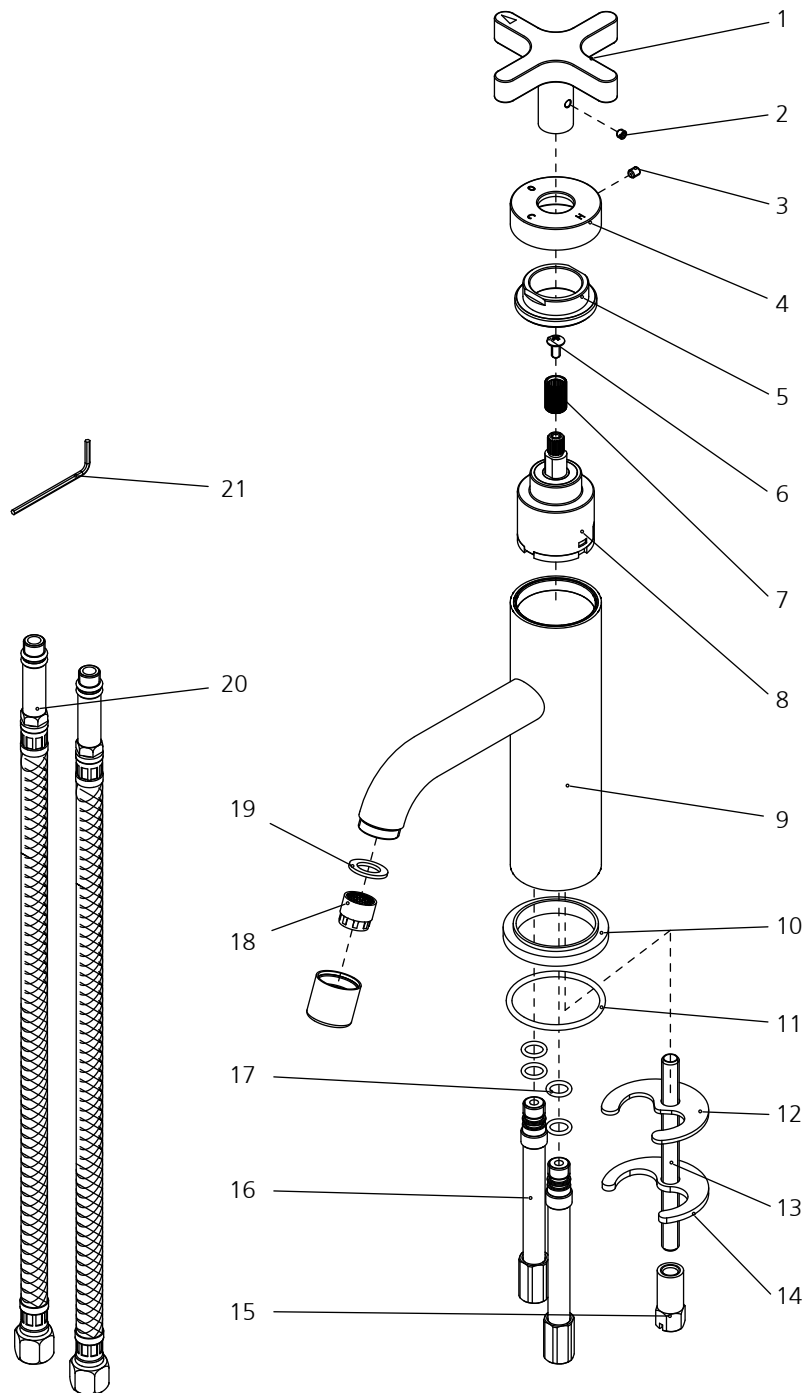
©COPYRIGHT 2009. CHRISTO LEROY BROOKS. ALL RIGHTS RESERVED.

DIMENSIONS IN INCHES & MILLIMETRES

WHILST EVERY EFFORT IS MADE TO ENSURE THE ACCURACY OF THESE DATA SHEETS THEY ARE SUBJECT TO CHANGE WITHOUT NOTICE AS PART OF THE COMPANY'S PRODUCT DEVELOPMENT PROCESS

# K1-1200

CROSS HANDLE MONOBASIN, NO P.U.W.



- |   |                          |    |                          |    |                          |
|---|--------------------------|----|--------------------------|----|--------------------------|
| 1 | Cross handle (506079-50) | 8  | Cartridge (507970N)      | 15 | Nut (054857)             |
| 2 | Screw (008772)           | 9  | Spout assembly (139675W) | 16 | Pipes assembly (064297W) |
| 3 | Set screw (008191)       | 10 | Base (034770)            | 17 | O-ring (004001N)         |
| 4 | Collar (215358-51)       | 11 | O-ring (048031N)         | 18 | Aerator insert (553641N) |
| 5 | Adjusting ring (104257)  | 12 | Washer (013039)          | 19 | Oil-seal (010805N)       |
| 6 | Screw (065172)           | 13 | Bolt (017139)            | 20 | Flexible hoses (105193W) |
| 7 | Adaptor (057673)         | 14 | Washer (013140)          | 21 | Allen wrench (031003)    |