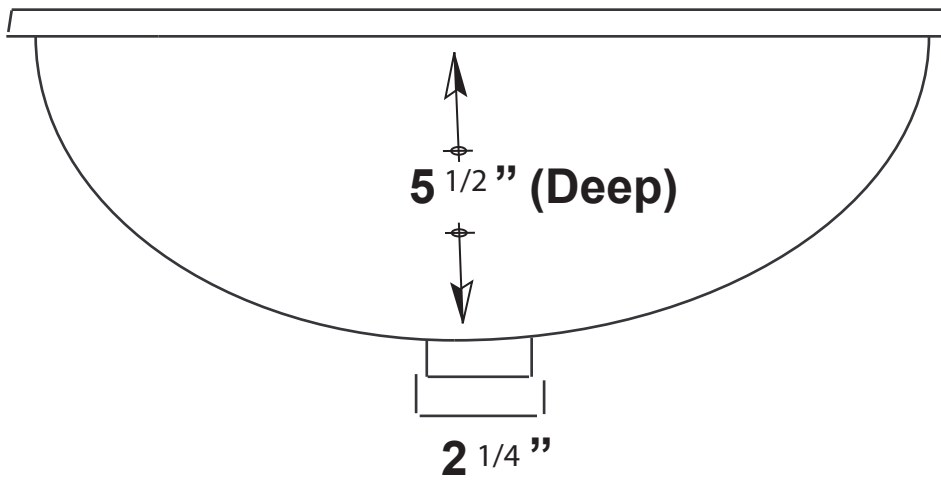
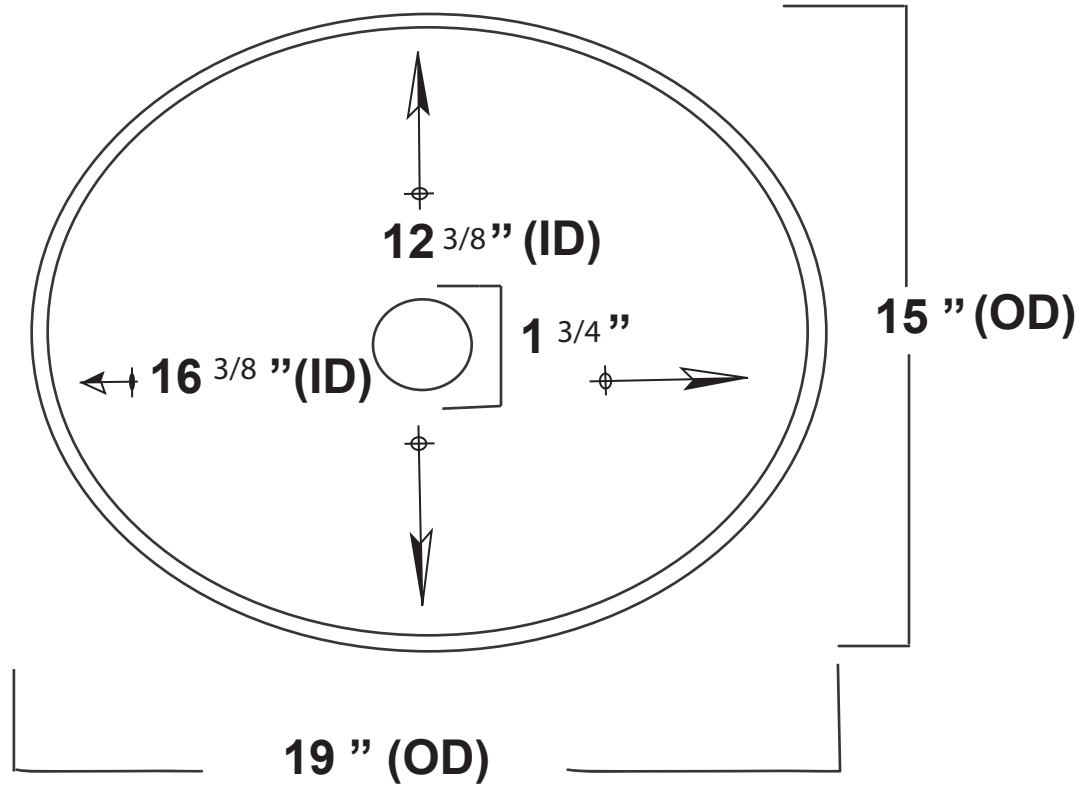


Elite Bath

Oval Model # OS16 Specifications Sheet

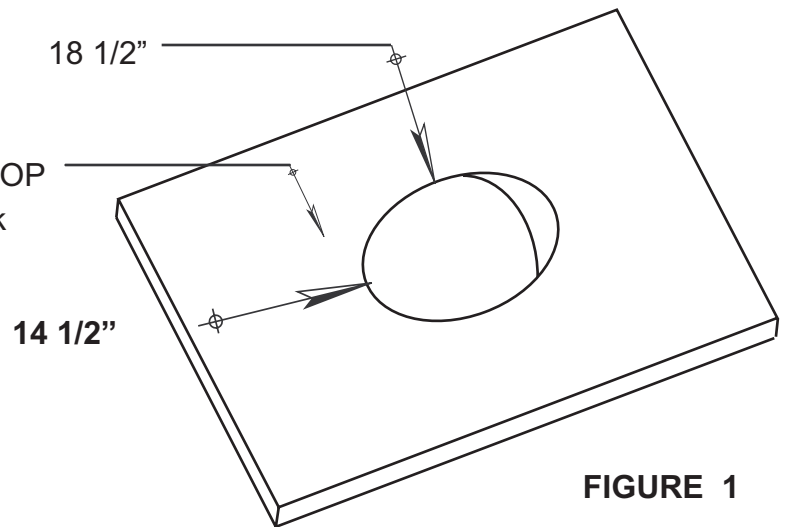
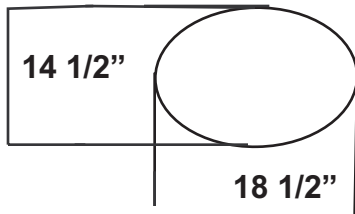


44 lbs.

1

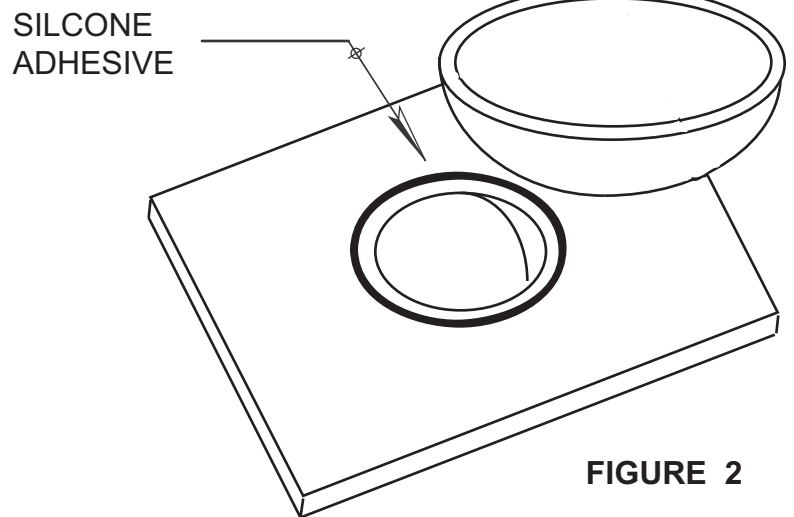
DRILL HOLE IN COUNTERTOP

1. Determine location of lavatory on countertop.
2. Mark center of drain hole.
3. Cut a 18 1/2" by 14 1/2" hole at center mark

**FIGURE 1****2**

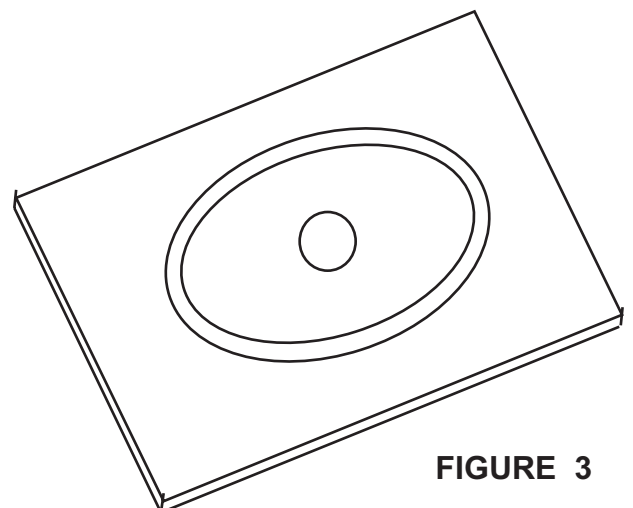
MOUNT LAVATORY

1. Apply a liberal bead of silicone adhesive around drain hole. (Figure 2)
2. Carefully position lavatory over center of drain hole and apply pressure.
3. Using a damp rag, remove any excess adhesive which may have squeezed out during installation.
4. Allow adhesive to cure before installing drain.

**FIGURE 2****3**

COMPLETE INSTALLATION

1. Install drain flange per faucet manufacturers instructions (drain not included).
2. Firmly tighten drain flange from underside of countertop.

**FIGURE 3**