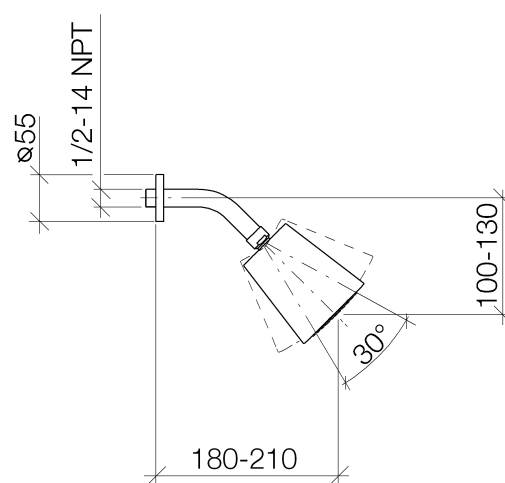




Product specifications

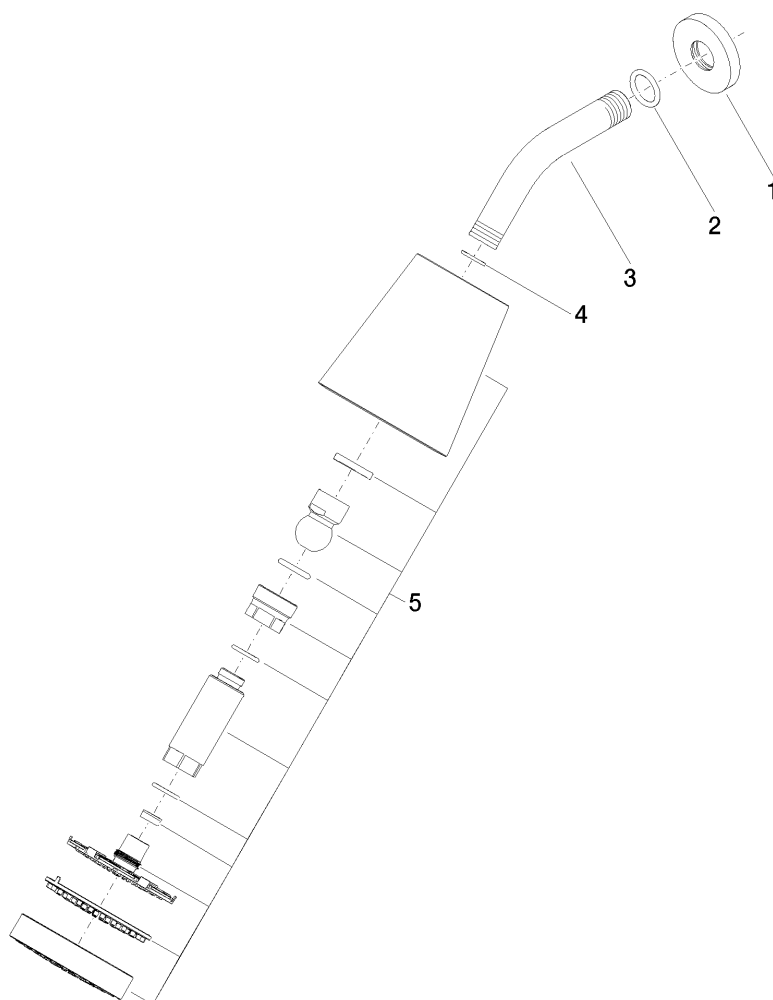
- Ball-and-socket joint 25", swivel (in any direction)
- Flange diameter 2 1/8"
- 1/2" connection
- Water flow rate limited to max. 1.85 gpm
- Descaling system



Surfaces

- | | |
|-----------------|-------------|
| • chrome | 28504979-00 |
| • chrome | 28504979-00 |
| • matt platinum | 28504979-06 |
| • matt platinum | 28504979-06 |

Exploded assembly drawing



Order quantity

No.	Article number	Name	Installation quantity
1	092722003ff	rosette	1
2	09141002690	seal	1
3	091103011ff	connection	1
4	09142000290	seal	1
5	90120505400ff	shower	1