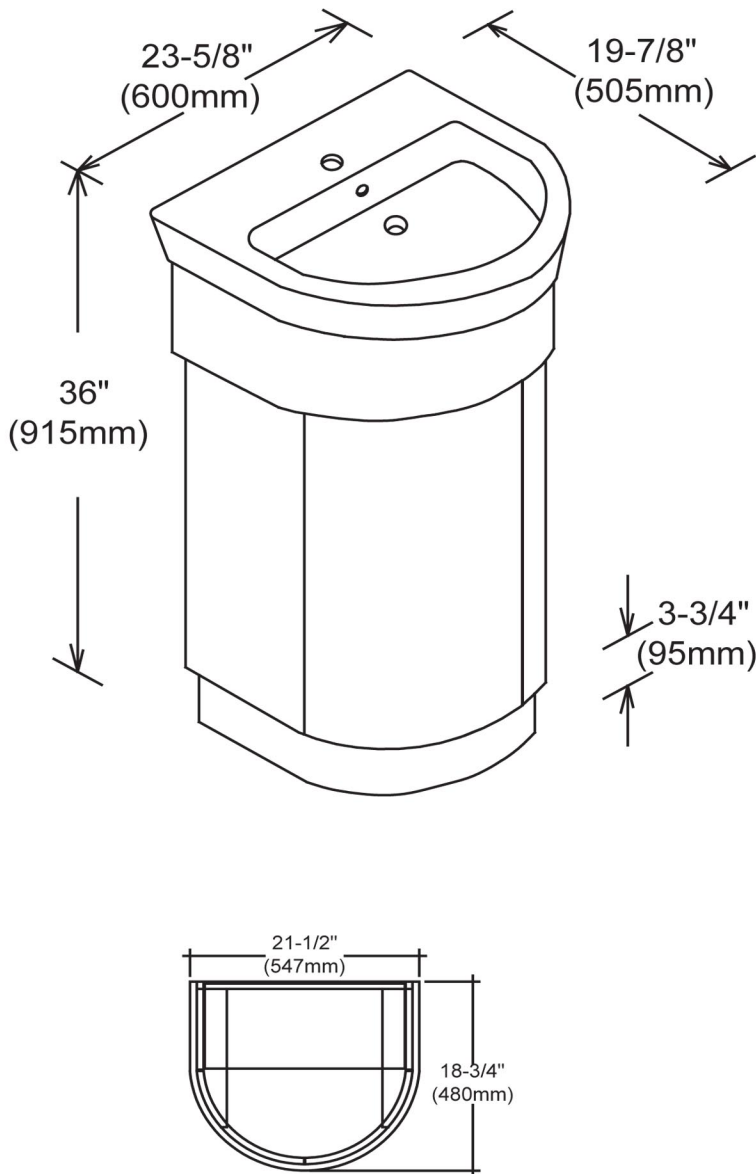


# 150-V24

## 24" Vanity & Sink

Please see MG-8050K for sink dimension



### SPECIFICATION SHEET

#### Features

- Materials: Plywood with Engineered Apricot Veneers
- Hinges: Fully concealed, soft closing
- Shelves: 1 (adjustable)
- Hardware: Brushed Nickel
- Back panel: Fully covered
- Side Panels: 7/8" FB with Engineered Apricot Veneers

#### Colors/ Finish

150 - Charcoal Gray

