

**36" DEVERELL DOUBLE  
BOWL FARMER SINK**

Cat. No  
FSSDB2520-SS



W: 36"  
D: 20"  
H: 10-1/4"

**Features:**

- ▶ Solid 16 gauge, 304 grade metal construction
- ▶ Tight radius corners
- ▶ Easy maintenance with matte finish
- ▶ Mounting clips included
- ▶ Template is included
- ▶ Insulated for sound reduction
- ▶ Rim width is 1"
- ▶ Drain is 3-1/2"
- ▶ 70/30 offset

**Compliance Certification**  
Meets or exceeds the following  
specifications: ASME  
A112.19.3-2001 for Stainless Steel.

**\*Please do NOT cut hole without  
template or actual product.**

**Interior Dimensions:**

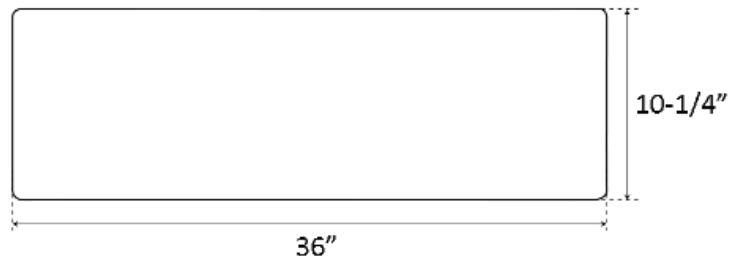
**Large**

Basin Interior: 22-1/2" W x 17-3/4" D  
Basin Depth: 10"

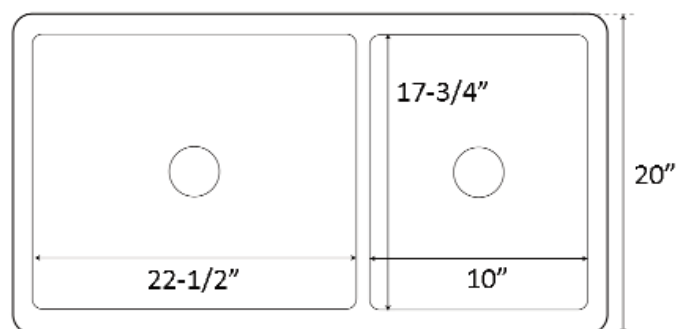
**Small**

Basin Interior: 9-1/4" W x 17-3/4" D  
Basin Depth: 10"

Front



Top



Dimensions of fixture are nominal and may vary within the range of tolerances established by ANSI Standard A112.19.2. Dimensions and specifications subject to change without notice.