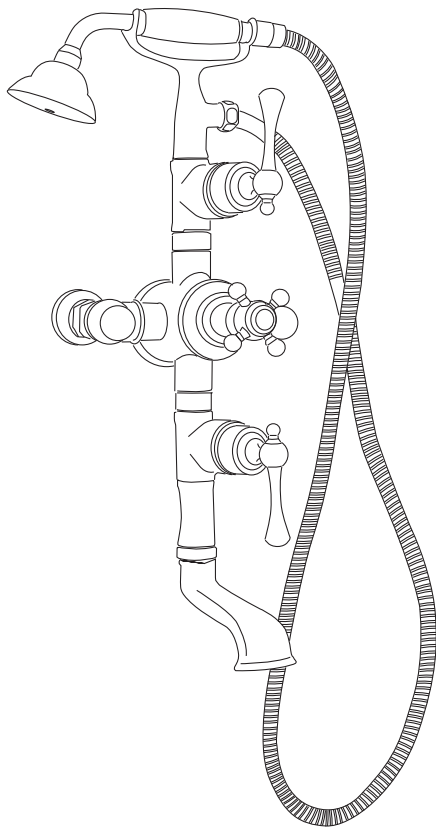


EXPOSED THERMOSTATIC WALL MOUNT TUB SET WITH HAND SHOWER

INSTALLATION INSTRUCTIONS

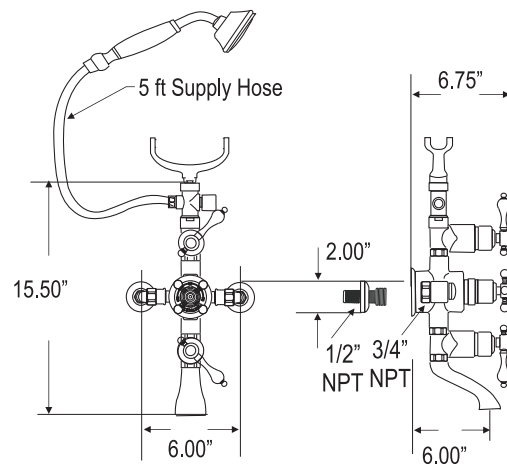
DESCRIPTION

This product is precision engineered to provide satisfactory performance provided it is installed and operated in accordance with our recommendations contained in this manual. In order to fully enjoy the comfort, safety and reliability of your exposed thermostatic set, be certain to familiarize yourself with the contents of this manual.



SPECIFICATIONS AND DIMENSIONS

Minimum operating pressure	20 psi
Maximum operating pressure	90 psi
Max hot water inlet temp.	140 °F
Hot and cold water inlets	1/2" NPT
Flow capacity	11 USGPM@ 60 psi

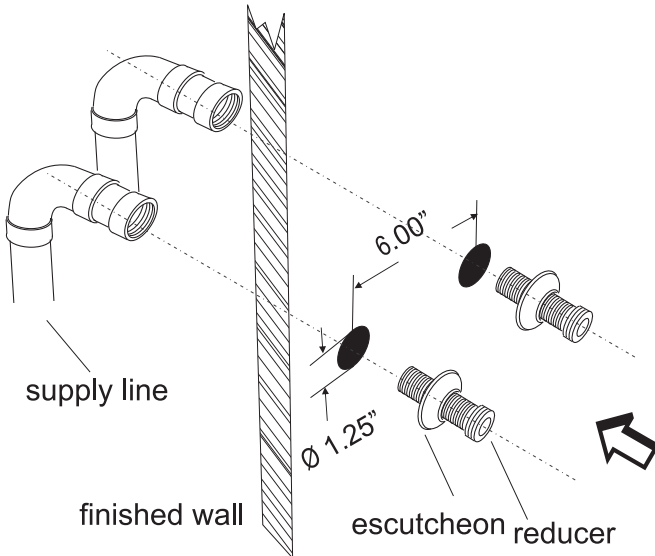


INSTALLATION

NOTE: Failure to follow these instructions may cause damage or improper operations and nullify the warranty.

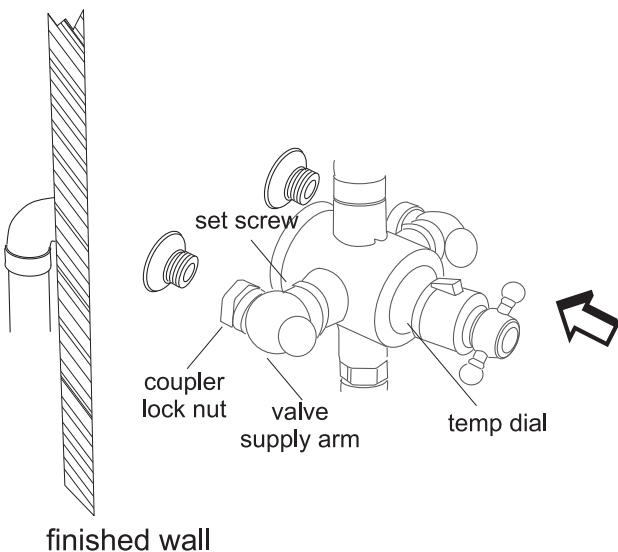
Flush the water lines thoroughly prior to valve installation to remove all debris, such as dirt, wood shavings, solder and/ or flux. Failure to flush lines can result in a damaged cartridge and void the warranty.

1- REDUCER INSTALLATION



1. Drill 2 1-1/4" holes with the 6" center to center distance at a pre-designated wall location for the shower set.
2. Insert the reducer (from 3/4" thread to 1/2" thread) with the escutcheon through the hole.
Hard pipe the reducer to the supply line.
Repeat the same procedure for the other reducer.
5. If vacuum breaker is required. Please purchase part IW69 through your Altmans' distributor.

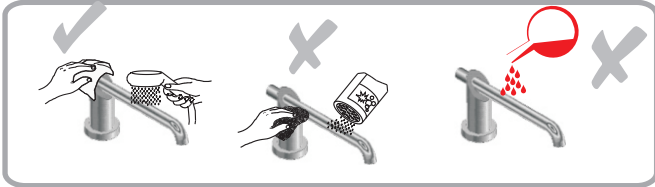
2. VALVE INSTALLATION



1. Apply Teflon tape to the reducer's threads and connect it to the valve's coupler lock nut. Tighten the coupler lock nut carefully.
❖ Over tightening of the coupler will void the warranty.
2. If necessary, the valve supply arms' angles can be adjusted by loosening the set screw in each arm.
❖ Please make sure to re-tighten the set screw after the adjustments are done to the valve arms. Failure to re-tighten the set screw will void the warranty.
3. Turn on the water supplies and check for any leakage at the joints. Check the water temperature to make sure it is the same as indicated in the temperature dial.

3- TRIM CARE

It is very important to follow these instructions to keep Altmans products' finishes shining and in perfect condition:



- 1. Only use a clean cloth and tap water for cleaning.*
- 2. Do not use any kind of abrasive products or fibers.*
- 3. Do not use any kind of chemical products to clean the finished surfaces.*

This valve is covered by a warranty for a period of one year from the date of purchase.

This valve will be repaired or replaced at the discretion of Altmans. This warranty covers product material and manufacturing defects.

The warranty does not cover incorrect installation, pressure and temperature exceeding specified limits, product abuse or foreign materials in the water.

This warranty also does not cover cost associated with installation or removal of the valve.