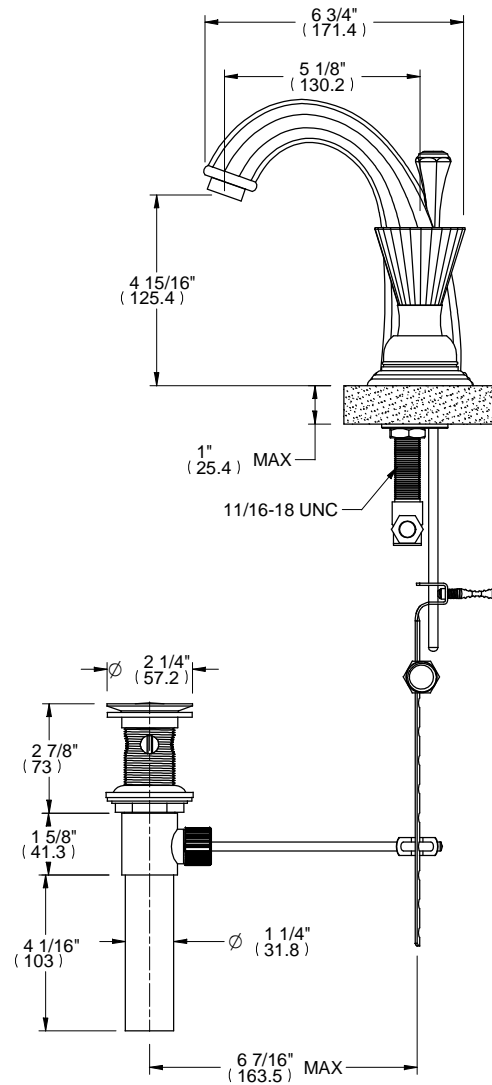
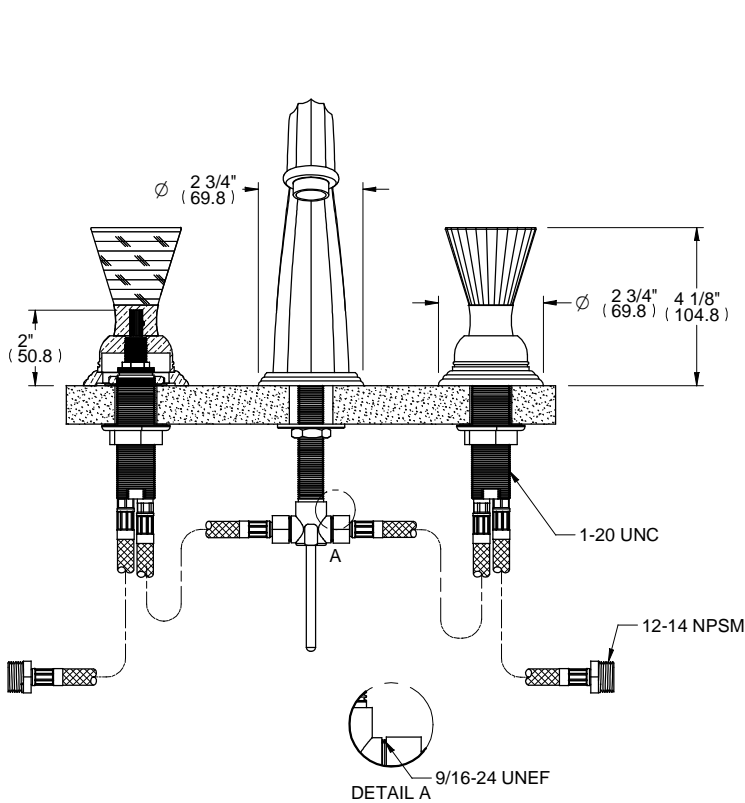


L1



ALTMANS RESERVES THE RIGHT TO MODIFY AND CHANGE SPECIFICATIONS AT ANY TIME. PLEASE VERIFY DIMENSIONS PRIOR TO INSTALLATION.

Features
Available in All Finishes
Low Lead Brass Construction
1/4 Turn Ceramic Disc Cartridge

Through-Hole Specifications
Spout: $\phi 1 \frac{1}{4}''$ Max.
Valve: $\phi 1 \frac{1}{4}''$ Max.

DIMENSIONS SHOWN TO NEAREST 1/16"