

WATERMARK

DESIGNS

T 718.257.2800

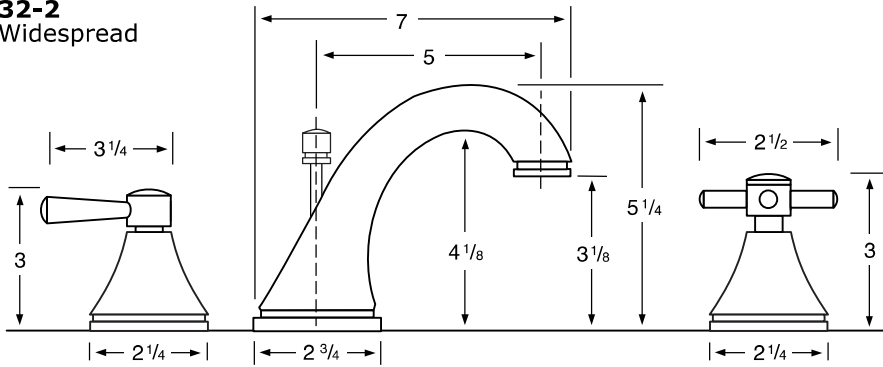
F 718.257.2144

info@watermark-designs.com

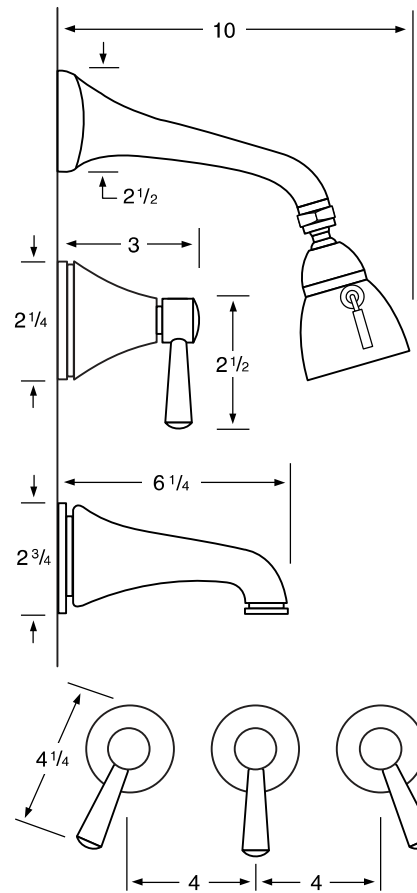
Sarah32

Specifications

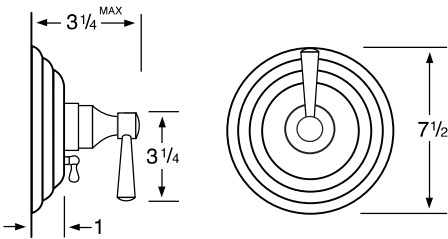
32-2
Widespread



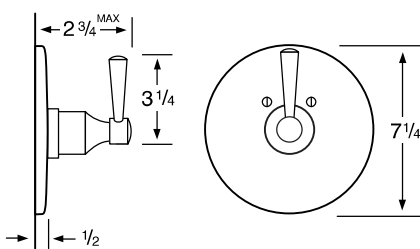
32-3 3 Valve Tub & Shower
32-5 2 Valve Tub
32-6 2 Valve Shower
32-WTR Wall Valve Trim



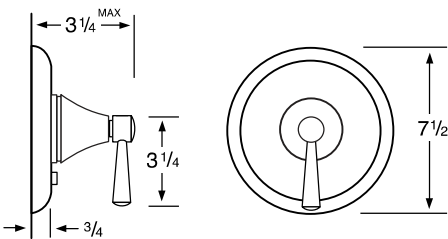
32-3.2/32-6.2
Pressure Balancing Valve



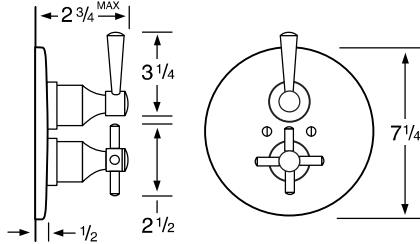
32-THRMKT10/32-3.5/32-6.5
Thermostatic Valve



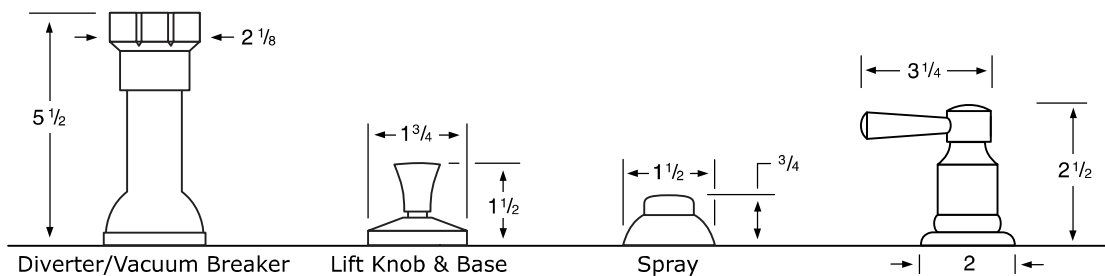
32-3.2TMP/32-6.2TMP
Tempress Pressure Balancing Valve



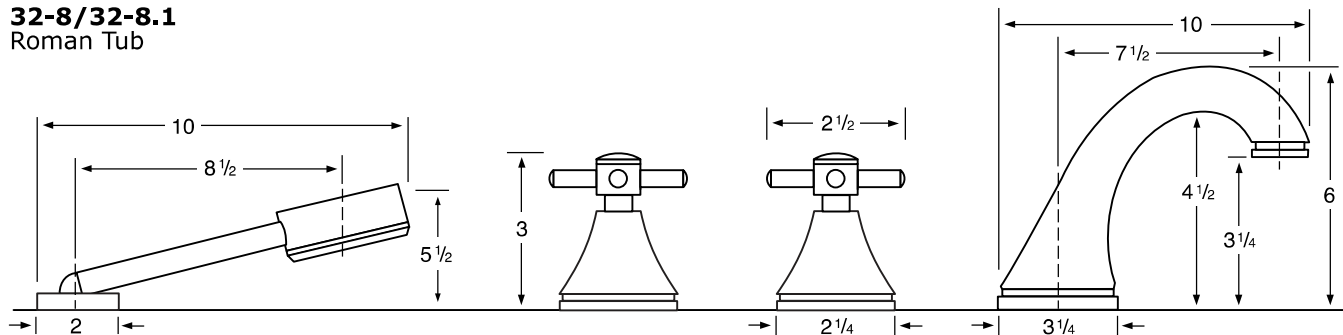
32-THRMKT20/32-3.4/32-6.4
Thermostatic Valve with Built in Volume Control



32-4
Bidet



32-8/32-8.1
Roman Tub



See Handle Trim Specifications for a complete list of additional handle trims