

SPECIFICATIONS

OPULENCE™ SINGLE HANDLE PRESSURE BALANCE TUB & SHOWER FAUCET

Model

D502157

Description

- Single handle w/4" bell showerhead
- Cast slip-fit spout
- Diverter on valve (Tub & Shower only)
- Back to back installation capabilities

Standards



- UPC/cUPC
- Energy policy act of 1992



- ASME A112.18.1



- CSA B125



- ASSE 1016

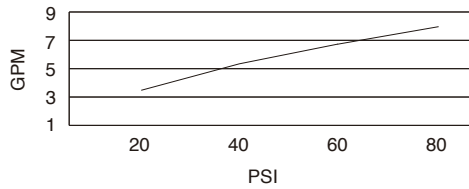


- ADA Accessibility Guidelines for Buildings and Facilities - 4.27.4 Controls and Mechanisms

Warranty

Danze products are covered by a manufacturer's limited "lifetime" warranty for manufacturing defects.

Flow Rate



Trim Kits :

- (for use w/pressure balance valves)
- D502157T (Tub/Shower trim)
- D502757T (Shower only trim)
- D500657T (Tub trim w/valve escutcheon)
- D500457T (Valve only escutcheon trim w/diverter)
- D510457T (Valve only escutcheon trim w/o diverter)

Special Packaging

- This product also available with valve packaged separate from trim.
- Tub & Shower and Valve Only Escutcheon w/ Diverter Trim Kit - use w/valve: D113000BT (w/diverter & stops)
- Shower Only & Tub & Valve Only Escutcheon w/o Diverter Trim Kit - use w/valve: D112000BT (w/stops) or D115000BT (w/o stops)
- Pressure Balance Valves are combination 1/2" copper sweat, 1/2" NPT threaded connectors for all ports.

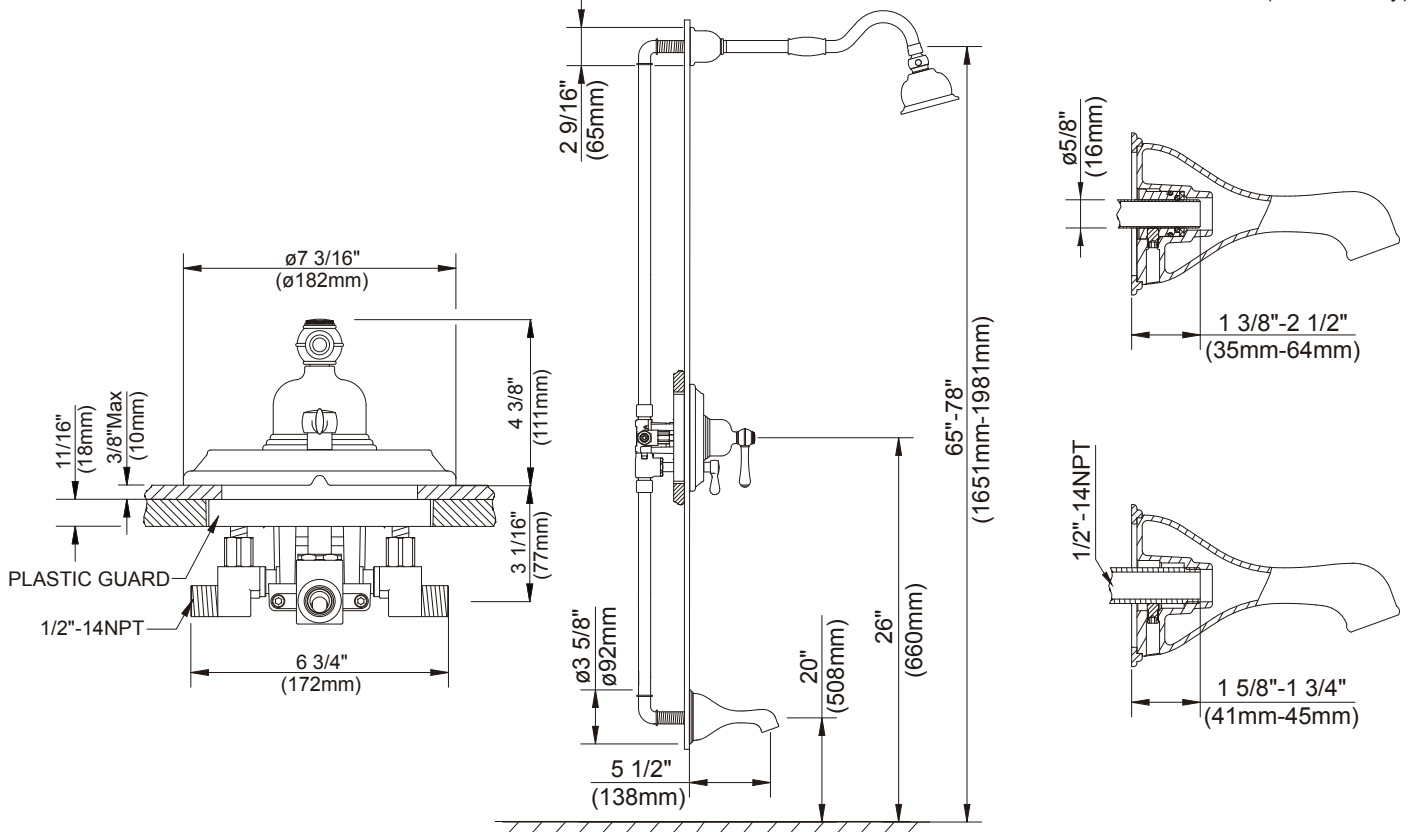


Finishes Available

- Chrome
- Other: Refer to Price List for additional finish

With Diverter & Stops:
D502157 (Tub/Shower)

With Stops:
D502757 (Shower only)



Submittal Information:

Job Name: _____
Contractor: _____

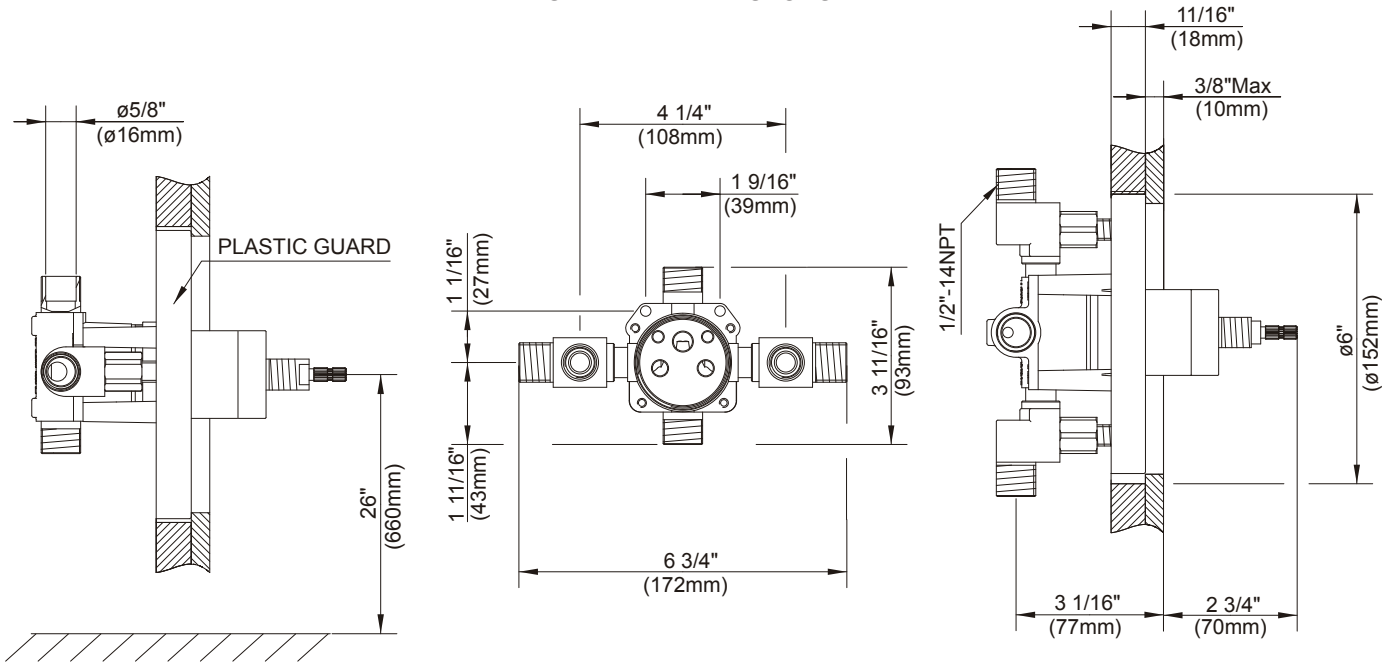
Location: _____
Contact #: _____

SPECIFICATIONS

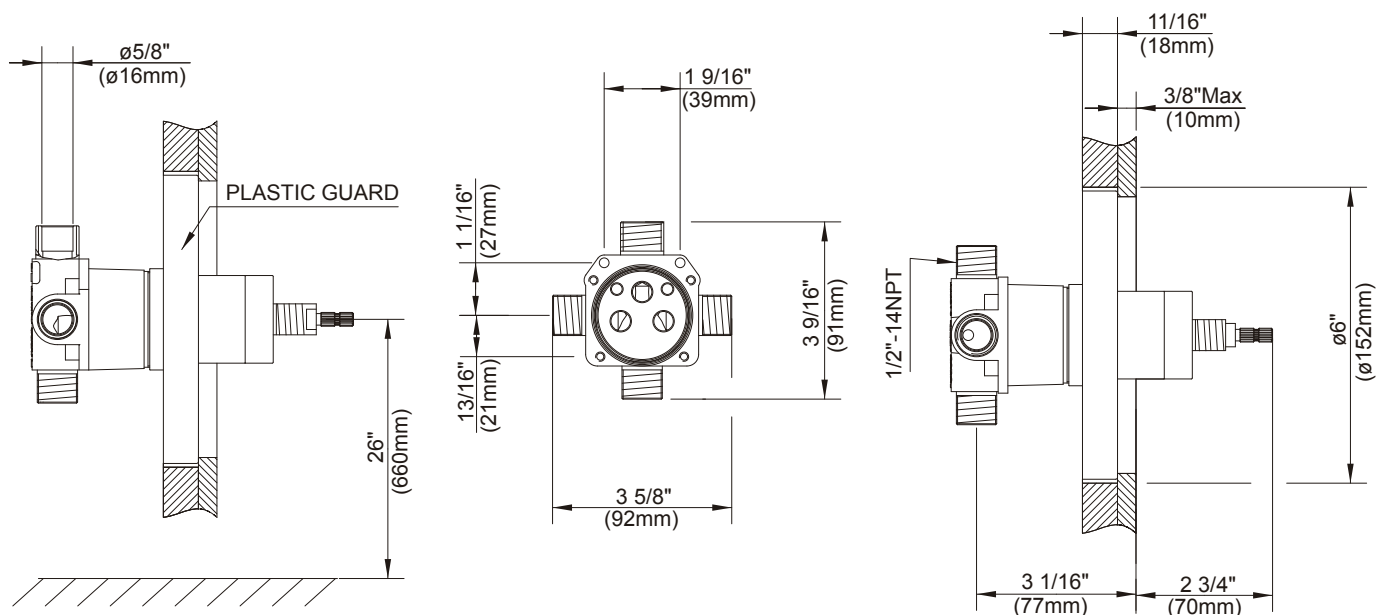
OPULENCE™ SINGLE HANDLE PRESSURE BALANCE TUB & SHOWER FAUCET

Critical Dimensions : Rough-in valve D112000BT (w/stops) & D115000BT (w/o stops)

W/SCREWDRIVER STOPS



W/DIVERTER & STOPS



Submittal Information:

Job Name: _____

Location: _____

Contractor: _____

Contact #: _____