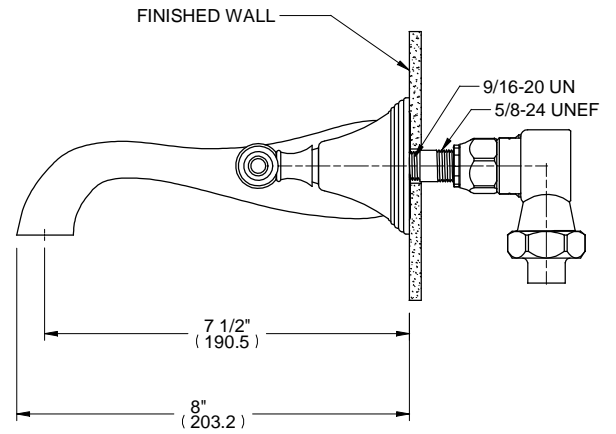
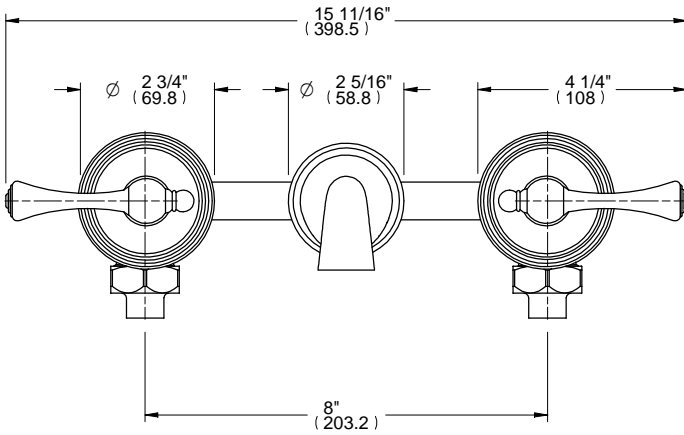


L1



ALTMANS RESERVES THE RIGHT
 TO MODIFY AND CHANGE
 SPECIFICATIONS AT ANY
 TIME. PLEASE VERIFY DIMENSIONS
 PRIOR TO INSTALLATION.

Features

Available in All Finishes
 All Low Lead Brass Construction
 1/4 Turn Ceramic Disc Cartridge

Through-Hole Specifications

DIMENSIONS SHOWN TO NEAREST 1/16"