

**36" CILANTRO DOUBLE  
BOWL FARMER SINK**

Cat. No  
FSCDB3518-SAC



W: 35-3/4"

D: 21-3/4"

H: 9"

**Features:**

- ▶ Constructed of solid 16 gauge copper
- ▶ Front features a grapevine design
- ▶ Rounded interior corners easy for cleaning
- ▶ Sink bowl has no internal welds
- ▶ Sink bottom angled to drainage
- ▶ Accommodates 3-1/2" drain
- ▶ Copper is a living finish and will patina over time

**Finish:**

**SAC** Smooth Antique Copper

**\*Please do NOT cut hole without  
template or actual product.**

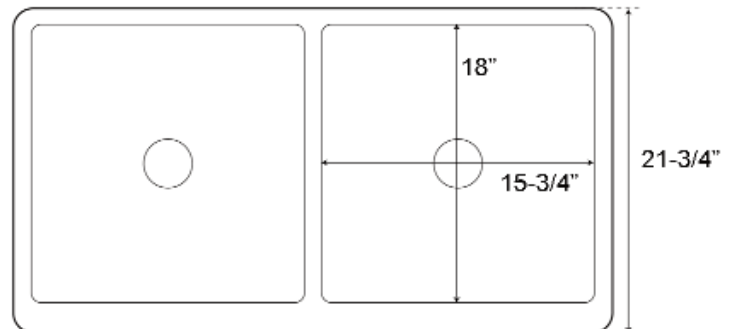
**Interior Bowl Dimensions:**

Basin Interior: 18" W x 15-3/4" D  
Basin depth: 8-1/2"

Front



Top



Dimensions of fixture are nominal and may vary within the range of tolerances established by ANSI Standard A112.19.2. Dimensions and specifications subject to change without notice.