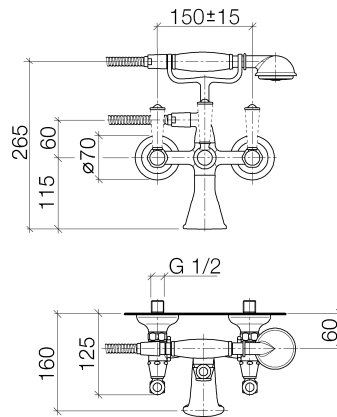




Product specifications

- **6 1/4" projection**
 - Non aerated flow
 - Back flow preventer in shower outlet
 - 1/2" ceramic disc cartridge
 - Diverter
 - Hand shower bracket
 - Hand shower with back flow preventer
 - 49 1/4" shower hose with rotating hose connector
 - Flange diameter 2 3/4"
 - Center to center 5 7/8"
 - Required adaptors (2 x 35 080 970-90 0010) to be ordered separately
 - Lever insert(s) to be ordered separately
 - Hand shower water flow rate limited to max. 2.38 gpm
- Internal backflow preventer.
[ADA]



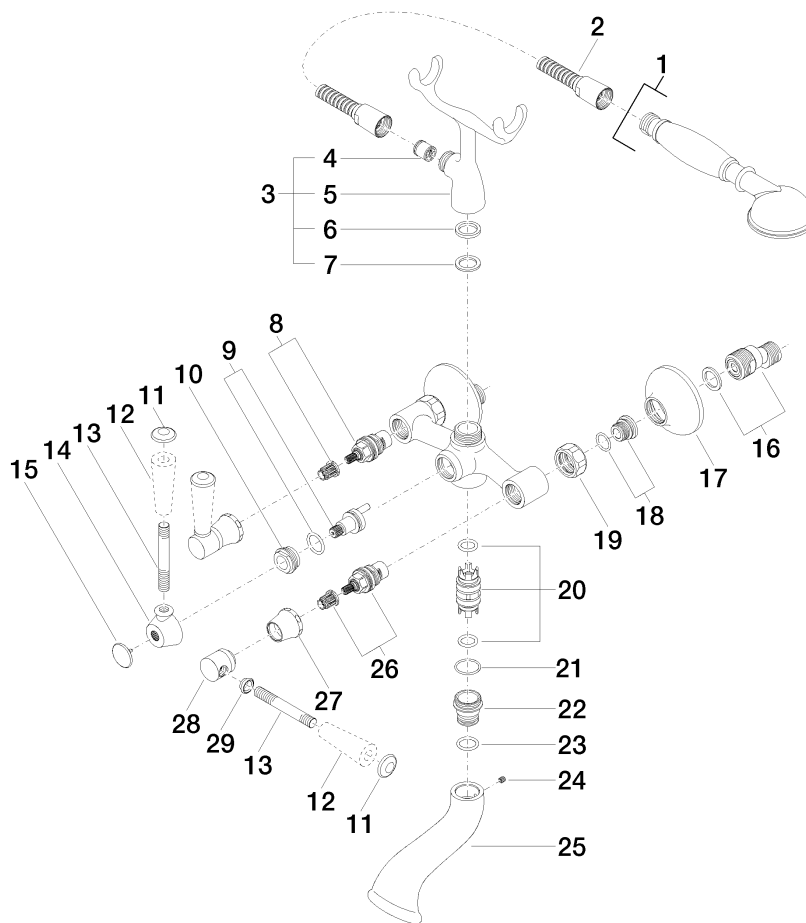
25 023 370-FF

NOTE: Local building codes may require the use of an anti-scald device. Please refer to remote pressure balanced valve (35 910 970 90)

Surfaces

- chrome 25023370-00
- chrome 25023370-00
- matt platinum 25023370-06
- matt platinum 25023370-06
- platinum 25023370-08
- platinum 25023370-08
- brass 25023370-09
- brass 25023370-09

Exploded assembly drawing



Order quantity

No.	Article number	Name	Installation quantity
1	28002970ff	shower	1
2	28104970ff	hose	1
3	04172001000ff	holder	1
4	09230104090	back-flow preventer	1
5	091720010ff	holder	1
6	09140500890	seal	1
7	09142001090	seal	1
8	9090031310090	top	1
9	0415010010090	diverter	1
10	09231000790	nut	1
11	093030062ff	screw	3
12	11170370ff	handle	3
13	09282201390	pipe	3
14	091820011ff	base	1
15	093030064ff	screw	1
16	04110400600-07	connection	2
17	092739010ff	rosette	2
18	0429050140090	nipple	2
19	092330010ff	nut	2
20	0421100100090	insert	1
21	09141005690	seal	1
22	09240312390	nipple	1
23	09141002290	seal	1
24	09311103090	pin	1
25	091106033ff	spout	1
26	9090031300090	top	1
27	092102055ff	cover	2
28	092037002ff	handle	2
29	092037001ff	handle	2

Bath & Spa

Madison Flair Tub mixer for wall installation, with hand shower set

Article number: 25023370

