

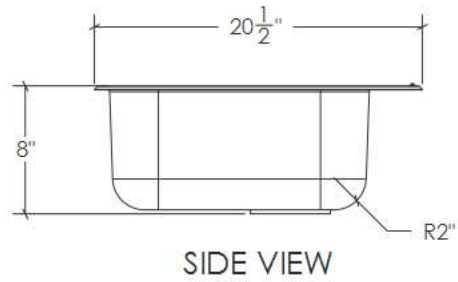
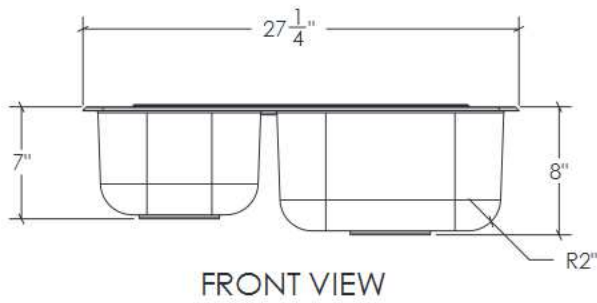
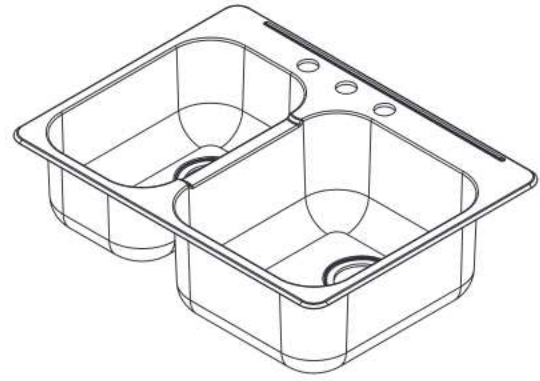
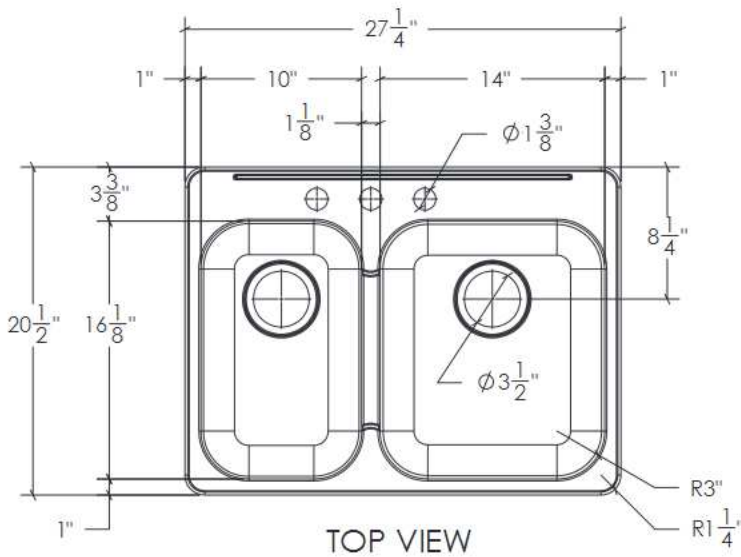
KSS-521

FEATURES:

- * Sink Size: 27 1/4" x 20 1/2" x 8"
- * Material: 304 Stainless Steel, 18 Gauge
- * Double Basin Undermount Sink
- * Strainer Drain Provided
- * Warranty: Limited Lifetime Warranty

CODES / STANDARDS APPLICABLE

- * CSA B45
- * ASME A112.19.2



JOB INFORMATION:

Job Name _____
 Date Specified _____
 Contractor _____

* Specifications and drawings provided on this sheet are for illustration only. Cantrio Concepts will not be held responsible for cutouts made without the actual product or product template.