

Date:

Client:

Project:

VOLA product: 4822



**4822**

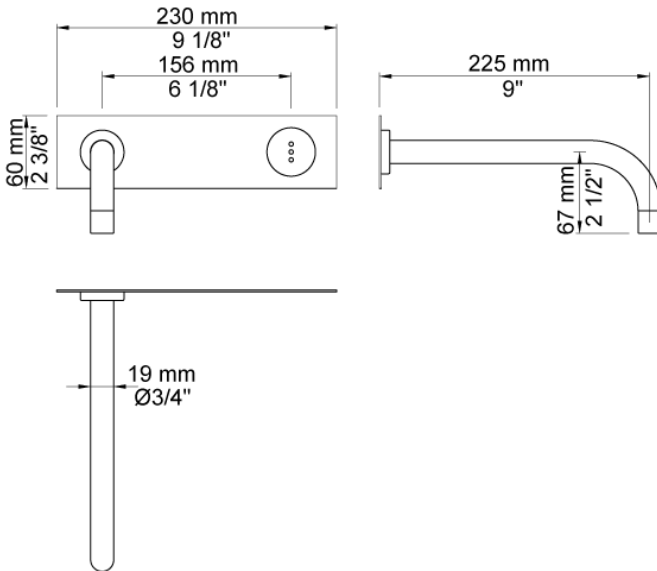
Build-in basin tap with on-off sensor for 'hands free' operation.

Sensor aligned with wall.

Valve box VR2617 included.

4822UP = Valve 4800, sensor cable VR509.

4822AP = 225 mm spout 020, sensor VR510, cover plate 4002L.



**Available in colours**

- Color 02, Grey
- Color 04, Light blue
- Color 05, Orange
- Color 06, Light green
- Color 08, Yellow
- Color 09, Dark grey
- Color 12, Mocca
- Color 14, Bright red
- Color 15, Dark blue
- Color 16, Polished chrome
- Color 17, Gloss black
- Color 18, White
- Color 19, Natural brass
- Color 20, Brushed chrome
- Color 21, Carmine red
- Color 25, Pink
- Color 27, Matt black
- Color 40, Brushed stainless steel



Date:

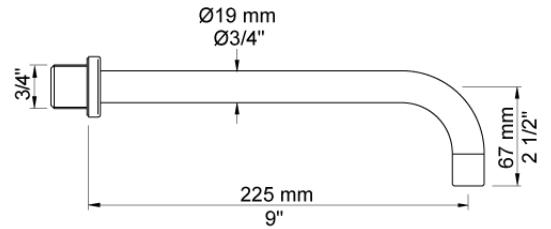
Client:

Project:

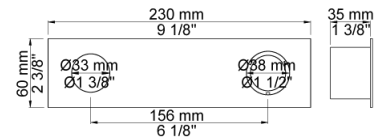
VOLA product: 4822



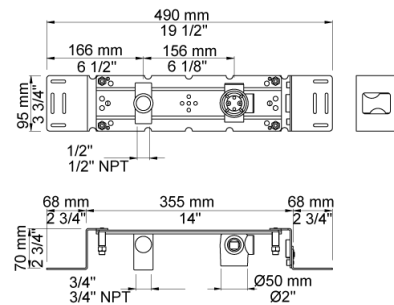
**020**  
225 mm fixed spout with water saving aerator.



**4002L**  
Two-hole plate 60 x 230 mm.  
Holes Ø33 mm and Ø38 mm for 4800.



**4800**  
Build-in valve with on-off sensor for 'hands free' operation.  
Valve box for electronic mixer, VR2617 enclosed.



Date:

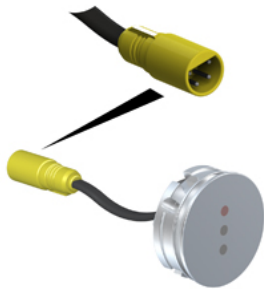
Client:

Project:

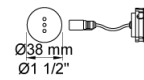
VOLA product: 4822



**VR509**



**VR510**  
Sensor for electronic mixer 4300, 4800 and 4900.

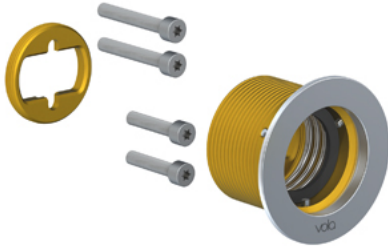


Date:

Client:

Project:

VOLA product: 4822



**VR512**  
[no product text]

